



TECNOSERVICE'21 srl

by Tinti Sergio
Via Carlo Pisacane, 134
61032 Fano (PU) Italy
P.IVA IT0200411413

Tel. +39 0721 805911
FAX +39 0721 809794
e-mail: staff@technochef.it
www.technochef.it
www.technochef.eu

Services and Technologies for professional catering since 1973



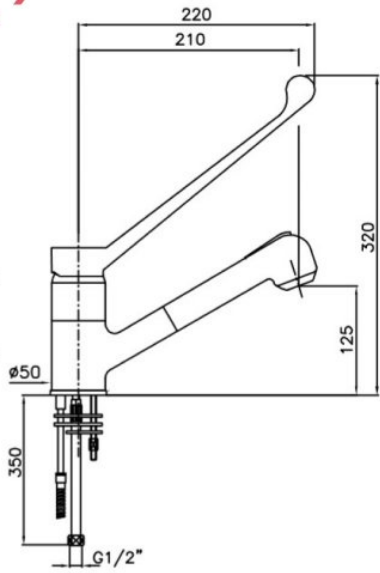
CODE	DESCRIPTION	PRICE/DELIVERY
KL1s.2930.80.82	Single-hole countertop mixer tap with clinical lever and extractable hand shower at a length of 70-80 cm	€ 134,93 <i>VAT excluded</i> Shipping to be calculated Delivery from 4 to 9 days

PROFESSIONAL DESCRIPTION

Single-hole countertop mixer tap , single-lever type with clinical lever :

- made on a **chromed solid brass body** ;
- clinical lever made of glass fiber reinforced polyamide;
- **swivel spout incorporated into the body;**
- tap with **extractable shower head at a length of 70-80 cm** (depending on positioning of counterweights);
- water flow: 14 l/minute.

MADE IN ITALY



Mod. KL1s.2930.80.82