



PROFESSIONAL DESCRIPTION

MANUAL FLYWHEEL SLICER B3, BERKEL brand, with BLADE diameter 300 mm, great cutting capacity in a classy design , available in the standard colors RED and BLACK :

- Berkel B3, the flywheel slicer also ideal for **intensive cutting** , is a **professional machine for domestic use** ;
- The **design of a vintage machine** , **still built in an artisanal way** , brings to life in the homes of the most refined the history of Berkel slicers, the slicers par excellence, in the kitchen as in the living room, finding its place as **a binding furnishing element** , respecting all the canons of the Berkel tradition, ideal for refined restaurants, collectors, lovers of taste and real flavours;
- **built completely in aluminum and stainless steel** ;
- **flowered flywheel as standard** ;
- collector plate in technical polymer;
- feet that can be mounted in two different configurations;
- **rapid plate advancement and return system** ;
- **built-in sharpener** ;
- **slice thickness adjustment system** with decimal advancement;
- overplate, food tray, collecting plate and sharpener easily removable for cleaning;
- **partially removable blade protection** to ensure safety and cleaning;
- **limited dimensions and weight** to allow easy positioning and movement within environments;
- **in addition to the classic 'Berkel Red' it is available in black** ;
- **blade diameter 300 mm** ;
- **circular cutting capacity** : 184 mm;
- **rectangular cutting capacity** : 230 x 184h mm;
- **slice thickness** : 0 - 1.5 mm.

Options/Accessories :

- pedestal

CE mark

Made in Italy

TECHNICAL CARD

net weight (Kg)	46
breadth (mm)	805
depth (mm)	670
height (mm)	700

AVAILABLE MODELS

VB-VOLANO3/R



Berkel - MANUAL FLYWHEEL SLICER, blade Ø 300 mm, Mod.VOLANO3 / R
Manual flywheel slicer, Brand BERKEL, RED color, with blade diameter mm 300, Weight 46 Kg, dim.mm.800x585x650h

€ 5.080,78

VAT excluded
Shipping to be calculated

Delivery from 8 to 15 days

VB-VOLANO3/N



Berkel - MANUAL FLYWHEEL SLICER, blade Ø 300 mm, Mod.VOLANO3 / N
Manual flywheel slicer, BERKEL brand, BLACK color, blade diameter 300 mm, Weight 46 Kg, dim.mm.800x585x650h

€ 5.080,78

VAT excluded
Shipping to be calculated

Delivery from 8 to 15 days

TECHNICAL CARD

CODE/PICTURES

DESCRIPTION

PRICE/DELIVERY

VB-PIEDISTALLO3/B114/TRIBUTE-R



BERKEL - Red Pedestal for Slicer Flywheel B3 / TRIBUTE / B114

Red painted cast iron support pedestal for Flywheel Slicer Mod. B3 / TRIBUTE / B114, Weight 45 Kg, dim.mm.580x580x780h

€ 1.188,95

VAT excluded
Shipping to be calculated

Delivery from 10 to 18 days

VB-PIEDISTALLO3/B114/TRIBUTE-N



BERKEL - Black stand for flywheel slicer B3 / TRIBUTE / B114

Support pedestal in black painted cast iron for Flywheel Slicer Mod. B3 / TRIBUTE / B114, Weight 45 Kg, dim.mm.580x580x780h

€ 1.188,95

VAT excluded
Shipping to be calculated

Delivery from 10 to 18 days

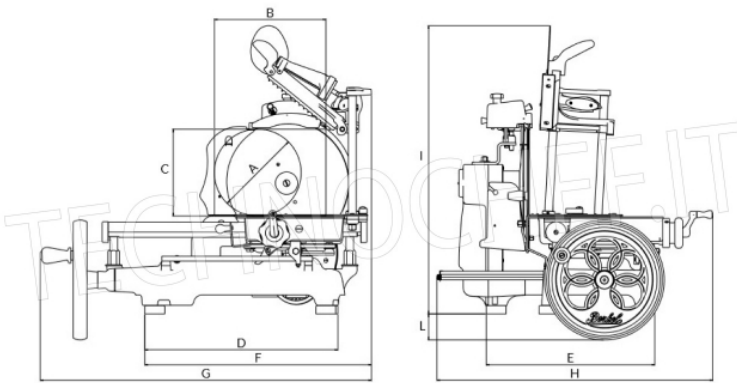






Piedistallo
Optional





A	B	C	D	E	F	G	H	I	L
mm	mm	mm	mm	mm	mm	mm	mm	mm	mm
210	270	210	460	405	550	805	670	700	65