



| CODE                 | DESCRIPTION   | PRICE/DELIVERY   |
|----------------------|---|--|
| <b>TCF205-001100</b> | Manual FLYWHEEL slicer, blade diameter 300 mm, standard color RED or customizable in the RAL scale, weight 44.5 Kg, dim.mm.775x570x680h | <b>€ 2.854,39</b><br><i>VAT excluded</i><br><b>Shipping to be calculated</b><br><b>Delivery</b> from 10 to 18 days |

**PROFESSIONAL DESCRIPTION**

**MANUAL FLYWHEEL SLICER, with blade diameter 300 mm:**

- **built completely in aluminum and stainless steel** ;
- **compact , functional** , with an elegant line and extremely simple to clean;
- **blade diameter 300 mm** ;
- **cutting regulator** : mm.0-3;
- **carriage stroke** : mm.255;
- **cutting capacity** : round diameter 210mm, rectangular 240x210h mm;
- **created for cutting all cured meats and in particular raw hams** ;
- **extreme ease of cleaning** , having large spaces between the blade and the head;
- a **functional machine** as well as being a **nice piece of furniture** ;
- **available in standard red** ;
- on request possibility to **customize with logo and colors of the RAL scale** .

**Options/Accessories :**

- Cast iron support pedestal with round base (customizable on request in all colors of the RAL range) - Mod.NW-570/300
- Iron support pedestal (customizable on request in all colors of the RAL range) - Mod.NW-580/300

**CE mark**  
**Made in Italy**

**TECHNICAL CARD**

|                        |      |
|------------------------|------|
| <b>net weight (Kg)</b> | 44,5 |
| <b>breadth (mm)</b>    | 570  |
| <b>depth (mm)</b>      | 775  |
| <b>height (mm)</b>     | 550  |

TECHNICAL CARD

CODE/PICTURES

DESCRIPTION

PRICE/DELIVERY

TCF205-001300



**TECHNOCHEF - Cast iron support pedestal with round base for Flywheel Slicer**

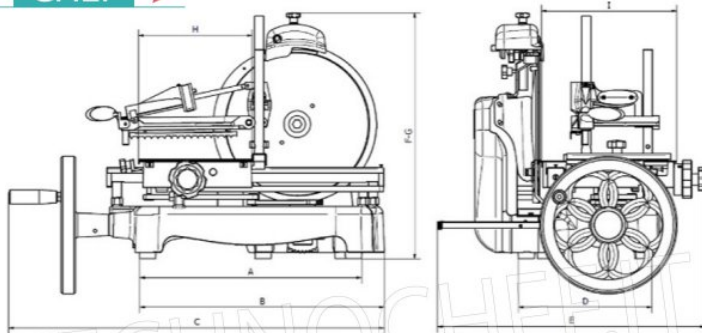
Cast iron support pedestal for flywheel slicers, with round base, diam. 600 mm, Height 790 mm, 400x500h mm plate, Weight 54 Kg.

**€ 948,18**

*VAT excluded*  
**Shipping to be calculated**

**Delivery** from 4 to 9 days





| Rif. | Particolare                        | 300/10H |
|------|------------------------------------|---------|
| A    | Distanza piedini                   | 465     |
| B    | Ingombro di taglio                 | 530     |
| C    | Ingombro massimo inizio/fine corsa | 775     |
| D    | Distanza piedini                   | 310     |
| E    | Ingombro massimo in larghezza      | 570     |
| F    | Altezza                            | 555     |
| G    | Ingombro massimo in altezza        | 680     |
| H    | Lunghezza piatto                   | 240     |
| I    | Larghezza piatto                   | 295     |