



CODE	DESCRIPTION	PRICE/DELIVERY
TCF024-002700	Manual vertical FLYWHEEL slicer for cured meats, blade diameter 370 mm, Standard colours: RED, BLACK, CREAM or Customizable on request, dim. mm 710x870x800h	€ 3.684,35 <i>VAT excluded</i> Shipping to be calculated Delivery from 4 to 9 days

PROFESSIONAL DESCRIPTION

MANUAL FLYWHEEL SLICER, blade diameter 370 mm, made of aluminum alloy and steel parts, with fire enamelling,

- built in aluminum and steel parts with a fire-painted finish, it is a true jewel with a design with attention to the smallest detail,
- cutting thickness from 0 to 2.5 mm - 9 positions,
- cutting capacity: mm 270x250h,
- built-in sharpener,
- the flywheel has a manual function and can therefore work even in places without electricity,
- robust, durable and reliable, a product for true connoisseurs,
- equipped with ring protection around the blade in accordance with EEC standards,
- totally customizable in terms of color and finishes,
- standard colours: red, black, cream (to be specified when ordering).

Accessories/Options :

- rose flowered shuttlecock
- pedestal

NB : BASIC VERSION WITH SMOOTH FLYWHEEL . The flowered shuttlecock is an optional, see price in the accessories.

**CE MARK
MADE IN ITALY**

TECHNICAL CARD

net weight (Kg)	81
gross weight (Kg)	90
breadth (mm)	710
depth (mm)	870

height (mm) 800

TECHNICAL CARD

CODE/PICTURES

DESCRIPTION

PRICE/DELIVERY

TCF024-005007



**TECHNOCHEF - Rose Flowered Flywheel,
Mod.FLOWERED ROSE 350/370**

Rose flowered flywheel for flywheel / manual slicers Mod.
350/370

€ 290,42

VAT excluded
Shipping to be calculated

Delivery from 4 to 9 days

TCF024-005002



TECHNOCHEF - Pedestal, Mod.PD 350/370

Pedestal for flywheel / manual slicers Mod. 350/370.

€ 873,60

VAT excluded
Shipping to be calculated

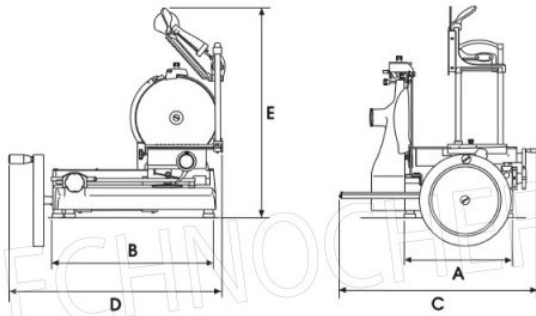
Delivery from 8 to 15 days







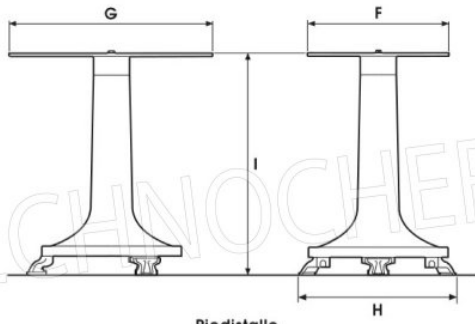
TECHNOCHEF.IT



F 350 VOLANO

F 370 VOLANO

A mm	400	400
B mm	650	650
C mm	710	710
D mm	870	870
E mm	800	800
kg	81	81



Pedistallo

F mm	450
G mm	700
H mm	640
I mm	795
kg	53