



**TECNOSERVICE'21 srl**

by Tinti Sergio  
Via Carlo Pisacane, 134  
61032 Fano (PU) Italy  
P.IVA IT0200411413

Tel. +39 0721 805911  
FAX +39 0721 809794  
e-mail: [staff@technochef.it](mailto:staff@technochef.it)  
[www.technochef.it](http://www.technochef.it)  
[www.technochef.eu](http://www.technochef.eu)

Services and Technologies for professional catering since 1973



CODE	DESCRIPTION	PRICE/DELIVERY
<b>CZRC585B</b>	Refrigerated wine cellar 1 glass door, capacity lt.85, temperature + 4 ° / + 10 C °, V.230 / 1, Kw.0.065, Weight 35 Kg, dim.mm.505x590x785h	<b>€ 442,28</b> <i>VAT excluded</i> <b>Shipping to be calculated</b> <b>Delivery</b> from 4 to 9 days

**PROFESSIONAL DESCRIPTION**

**REFRIGERATED CELLAR for wine in bottles, 1 glass door :**

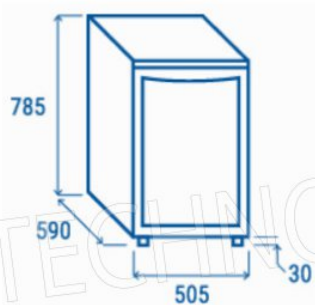
- exterior in black painted sheet metal , white thermoformed interior ;
- capacity 85 liters ;
- operating temperature + 4 ° / + 10 ° C ;
- automatic defrost at compressor stop;
- Ciclopentano foaming (30mm thick per side);
- **mechanical thermostat** ;
- removable gasket;
- **internal LED light** ;
- standard lock;
- **double-glazed safety glass** ;
- grids (3 Pcs) and basket (1 PCs) in chromed steel;
- **dark glass for UV protection** ;
- Refrigerant gas R600a;
- noise level 46 dB (A);
- dim.mm.interne (LxPxH): 410x395x625;
- external dim.mm. (WxDxH): 505x590x785;
- N.4 Adjustable feet.

**CE marking**  
**Made in ASIA**

**TECHNICAL CARD**

<b>power supply</b>	Monofase
<b>Volts</b>	V 230/1

<b>frequency (Hz)</b>	50
<b>motor power capacity (Kw)</b>	0,065
<b>net weight (Kg)</b>	35
<b>breadth (mm)</b>	505
<b>depth (mm)</b>	590
<b>height (mm)</b>	785



Profondità	590 mm
Altezza	785 mm
Larghezza	505 mm