



CODE	DESCRIPTION	PRICE/DELIVERY
<b>CZCW40</b>	Built-in refrigerated wine cellar 1 glass door, capacity 100 liters, automatic defrosting, temperature + 5 ° / + 18 ° C, LED lighting, V.230 / 1, Kw. 0,085, Weight 35 Kg, dim.mm.380x602x865h	<b>€ 691,18</b> <i>VAT excluded</i> <b>Shipping to be calculated</b> <b>Delivery</b> from 4 to 9 days

**PROFESSIONAL DESCRIPTION**

**BUILT-IN REFRIGERATED CELLAR for bottled wine, with glass door:**

- exterior in black painted sheet , interior in black thermoformed ;
- capacity **lt.100** ;
- temperature **+ 5 ° / + 18 ° C** ;
- **automatic defrosting** when the compressor stops;
- Cyclopentane foam (30mm thick per side);
- **control with digital display;**
- reduced energy consumption;
- Removable gasket;
- **internal LED light** (BLUE color);
- reversible door with vertical cylindrical handle;
- lock and 1 standard carbon filter;
- door opening alarm;
- **double tempered safety glass;**
- dark glass for UV protection;
- **6 adjustable wooden shelves** ;
- Refrigerant gas R600a;
- noise level 43 dB (A);
- internal dim.mm. (LxWxH): 310x453x660;
- external dim.mm. (LxWxH): 380x602x865;
- N.4 Adjustable feet .

**CE mark**  
**Made in ASIA**

#### TECHNICAL CARD

<b>power supply</b>	Monofase
<b>Volts</b>	V 230/1
<b>frequency (Hz)</b>	50
<b>motor power capacity (Kw)</b>	0,085
<b>net weight (Kg)</b>	35
<b>breadth (mm)</b>	380
<b>depth (mm)</b>	602
<b>height (mm)</b>	865



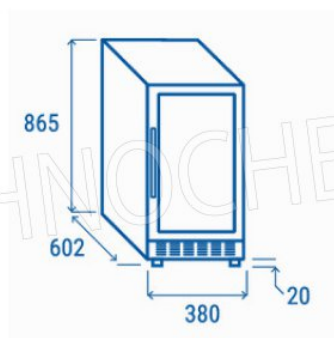
Luce LED di colore BLU



Controllore digitale



Ripiani in legno regolabili



Profondità	602 mm
Altezza	865 mm
Larghezza	380 mm