



CODE	DESCRIPTION	PRICE/DELIVERY
SI-DRAKEMAN	Manual meat tenderizer with rollers, made of stainless steel, cylinder length 250 mm, loading mouth mm 30x250, dim.mm.253x180x406h	€ 330,84 <i>VAT excluded</i> Shipping to be calculated Delivery from 4 to 9 days

PROFESSIONAL DESCRIPTION

TENDERIZER for SLICED MEAT :

- Made of **AISI 304 stainless steel**;
- **Product introduction of 25 cm wide** , wide and practical;
- **Blade protection** in stainless steel;
- **Easy removal and replacement of the blade unit** ;
- **Easily removable blade rollers and combs** for more thorough cleaning;
- Knob adaptable for left-handed operators;
- **Cylinder length mm 250** ;
- **Loading mouth dimensions mm 30x250**;
- **Blade group not included in the price** .

CE mark

TECHNICAL CARD

net weight (Kg)	7,5
gross weight (Kg)	8
breadth (mm)	253
depth (mm)	180
height (mm)	406

TECHNICAL CARD

CODE/PICTURES	DESCRIPTION	PRICE/DELIVERY
---------------	-------------	----------------

SI-LF029755



TechnoChef - Manual Cut Tenderizer Blades Kit 15 mm

Blades kit to cut strips mm 15, for manual tenderizer mod. DRAKEMAN

€ 533,71

VAT excluded
Shipping to be calculated

Delivery from 4 to 9 days

SI-LF029750



TechnoChef - Manual Cut Tenderizer Blades Kit 10 mm

Blades kit to cut strips mm 10, for manual tenderizer mod. DRAKEMAN

€ 625,73

VAT excluded
Shipping to be calculated

Delivery from 4 to 9 days

SI-LF029730


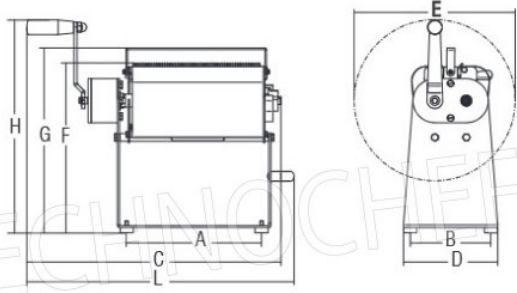


TechnoChef - Manual Tenderizer Blades Kit 4 mm
4 mm Manual Pointed Tenderizer Blades Kit

€ 692,56

VAT excluded
Shipping to be calculated

Delivery from 4 to 9 days

A	B	C	D	E	F	G	H	L			
mm	mm	mm	mm	mm	mm	mm	mm	mm	kg	mm	kg
253	154	490	180	308	330	363	406	514	7.5	305x517x440	8