

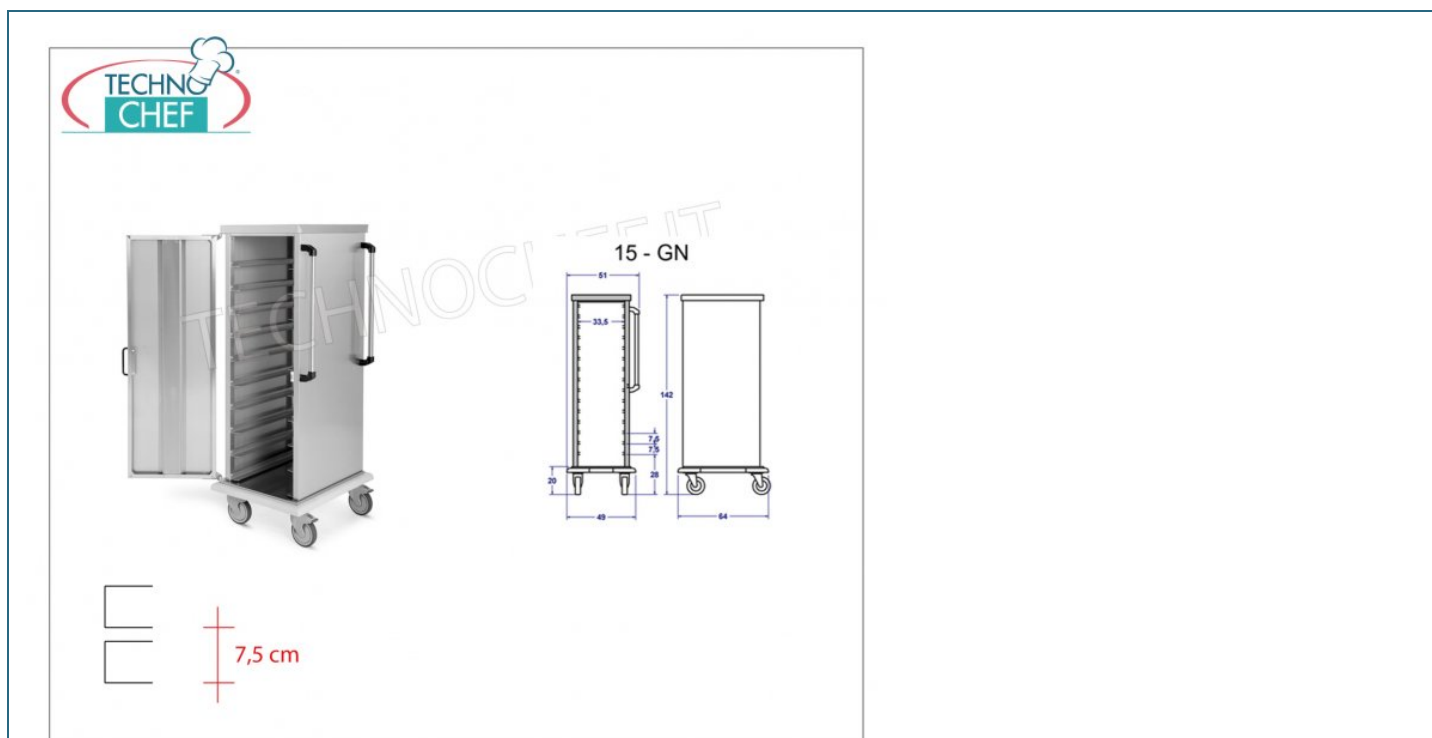


**TECNOSERVICE'21 srl**

by Tinti Sergio  
Via Carlo Pisacane, 134  
61032 Fano (PU) Italy  
P.IVA IT0200411413

Tel. +39 0721 805911  
FAX +39 0721 809794  
e-mail: [staff@technochef.it](mailto:staff@technochef.it)  
[www.technochef.it](http://www.technochef.it)  
[www.technochef.eu](http://www.technochef.eu)

Services and Technologies for professional catering since 1973



CODE	DESCRIPTION	PRICE/DELIVERY
<b>MC-3343</b>	Self / service tray trolley with universal guides for 10 Gastro-Norm and Euro-Norm trays, dim. 520x600x1590h mm	<b>€ 665,93</b> <i>VAT excluded</i> <b>Shipping to be calculated</b> <b>Delivery</b> from 8 to 15 days

**PROFESSIONAL DESCRIPTION**

**Self / service tray trolley with 'universal' supports, capacity of trays n.10:**

- **Length tray support:** 53 cm ;
- **tray capacity:** for 10 gastro-norm 1/1 trays (325x530 mm) or euronorm 1/1 (375x530 mm) ;
- **structure in AISI 304 18/10 stainless steel tube** section 2x2 cm, bolted crosspieces;
- **guides in chromed steel wire** 11 cm pitch ;
- **gray rubber bumpers** at the corners ;
- **swivel wheels** Ø 12.5 cm ;
- dimensions: mm 520x600x1590h.

**CE MARK**  
**MADE IN ITALY**

**TECHNICAL CARD**

<b>net weight (Kg)</b>	38
<b>gross weight (Kg)</b>	48
<b>breadth (mm)</b>	520
<b>depth (mm)</b>	650
<b>height (mm)</b>	1420

**TECHNICAL CARD**

CODE/PICTURES	DESCRIPTION	PRICE/DELIVERY
---------------	-------------	----------------

**MC-A0170**



**Technochef - STAINLESS STEEL WIRE GRID GN  
1/1, Mod.A0170**

1/1 Gastro-Norm stainless steel wire grid (530x325 mm).

**€ 26,86**

*VAT excluded*  
**Shipping to be calculated**

**Delivery** from 4 to 9 days

**MC-E\***



**Technochef - SET 4 ELASTIC WHEELS, 2 with  
BRAKE**

Set of 4 elastic wheels, 2 of which with brake, for uneven floors or outdoors

**€ 54,89**

*VAT excluded*  
**Shipping to be calculated**

**Delivery** from 4 to 9 days