



TECNOSERVICE'21 srl

by Tinti Sergio
Via Carlo Pisacane, 134
61032 Fano (PU) Italy
P.IVA IT0200411413

Tel. +39 0721 805911
FAX +39 0721 809794
e-mail: staff@technochef.it
www.technochef.it
www.technochef.eu

Services and Technologies for professional catering since 1973



PROFESSIONAL DESCRIPTION

Modular prefabricated FREEZER-FREEZER ROOM for low temperatures , Temp. -14° -22°C :

- **made with modular sandwich panels , 100 mm thick , in non-toxic white pre-painted sheet metal , insulated with high density polyurethane , 40-42 kg/cubic meters (95% closed cells);**
- Panel locking with the use of eccentric hooks;
- **revolving door with clear light** to choose from the following sizes: **600x1850 mm, 700x1850 mm, 800x1850 mm, 900x1850 mm;**
- **easily adjustable door hinges** in 3 directions;
- **handle with lock and safety release** from inside in phosphorescent material;
- PED **walkable floor** made of **anti-slip AISI 304 stainless steel sheet** , STATIC CAPACITY 1500 Kg/m², PUNCTUAL CAPACITY 100 Kg;
- **rounded internal corners** for maximum hygiene and ease of cleaning,
- prearranged for **wall-mounted single-block refrigeration units** ,
- on request it is possible to install monobloc units on the ceiling or refrigeration units with remote group,
- Complete with **Compensation Valve**,
- **supplied disassembled and packed on pallets** (on request in a wooden crate)
-
- **INTERNAL DIMENSIONS:** mm 2200x2200x2000k
- net capacity: **9.68 cubic meters**,
- **EXTERNAL DIMENSIONS** : mm 2400x2400x2200h

Accessories:

- **Internal shelving made of 20 micron anodized aluminum** with 3 rows of gridded shelves.
- **Crawl space for floor ventilation** made of plastic profile.
- **Door curtain in transparent plastic strips**
- **Door microswitch and internal light**

Options on request:

- **Driveway and reinforced floor**
- **Ceiling refrigeration units** and split (remote) refrigeration systems
- Possibility of measures other than those proposed.

MONOBLOCK REFRIGERANT UNIT (Not Included) , for Temp. -14° - 22°C. for WALL-MOUNTED ASSEMBLY, V. 230/1 - V. 400/3+N, Kw 2,8 -- mod. TCF313-L19130B

- **External bodywork** of the monobloc in **galvanized sheet metal**
- frame of the evaporating part in magnesium aluminium;
- working ambient temperature max +38°C
- ECOLOGICAL refrigerant **gas R452a**
- **hermetic compressor;**
- high and low pressure switch with automatic reset
- **automatic hot gas defrosting**
- power **cable for door resistance;**
- **cable** for **door switch and door light** connection
- **digital telethermometer display** with temperature indication and operating status display: cold-defrost-evaporator fans-alarm in progress.
- **Temp. Adjustable from: -14° to -22°C. ,**
- **possibility of displaying alarms** such as: high and low temperature and pressure, open door, dirty condensation, etc.
- predisposition for connection to the frigotel supervisor
- **Complete with resistance for the condensate drain pipe ,**
- siphon on the condensate drain,

CE mark
Made in Italy

TECHNICAL CARD

gross weight (Kg)	250,00
breadth (mm)	2400
depth (mm)	2400
height (mm)	2200

AVAILABLE MODELS

TCF474-BT24-24/S10



Freezer-Freezer Cell, Temperature -14 ° -22 °, Mod. BT24-24 / S10

Prefabricated freezer compartment, suitable for low temperatures (-14 ° -22 °), made of modular sandwich panels, thickness 100 mm., With revolving door and floor, 9.68 meters / cubic, dim. external, mm 2400x2400x2200h

€ 3.020,61

VAT excluded
Shipping to be calculated

Delivery from 15 to 25 days

TCF474-L19130B



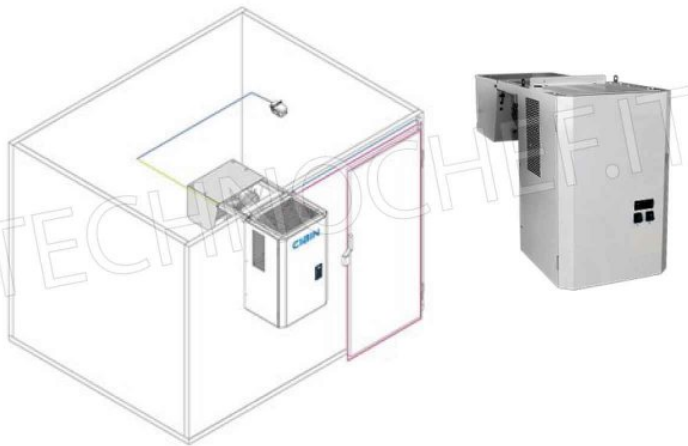
Monobloc Refrigeration Unit for Low Temp. -14 ° -22 ° C. - Wall mounted

Monobloc wall-mounted BT refrigerating unit, tropicalized, for low temperatures -14 ° -22 °, ventilated, with ecological gas R404Aa, V 230/1 - V. 400/3 + N, Kw 2,8 - weight Kg 89, external dimensions mm 1045x735x1040h

€ 3.060,79

VAT excluded
Shipping to be calculated

Delivery from 15 to 25 days





SU RICHIESTA: CELLA SENZA PAVIMENTO



CERNIERE FACILMENTE REGOLABILI IN UTENZA IN 3 DIREZIONI



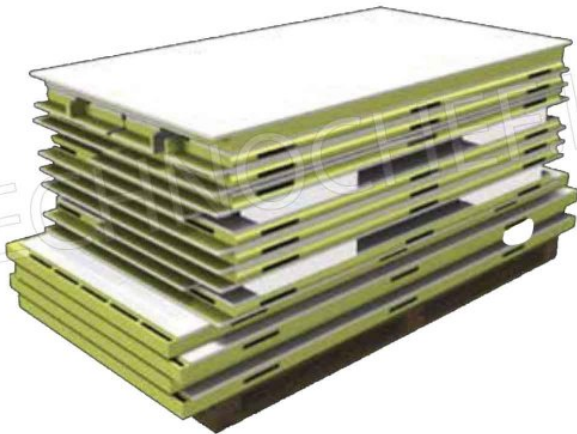
MANIGLIA STANDARD CON SERRATURA, CHIAVE A SBLOCCO INTERNO DI SICUREZZA



PAVIMENTO STANDARD (NON CARRELLABILE) IN ACCIAIO INOX ANTISDRUCCIOLO, CON SUPPORTO INTERNO INTEGRATO.



PAVIMENTO + PANNELLO: MONTAGGIO SEMPLICE E VELOCE
TRAMITE FISSAGGIO CON AGGANCIO ECCENTRICO.



FORNITA SMONTATA E IMBALLATA SU PALLET



SEQUENZA DI MONTAGGIO PANNELLI