



**PROFESSIONAL DESCRIPTION**

**GRANULAR ICE MAKER with INCORPORATED STORE, production 155 kg in 24 hours :**

- **Structure in 18/8 stainless steel** , Scotch-Brite finish,
- **Internal storage capacity : 40 kg** ,
- **Automatic device** : stops the machine when the ice storage is full,
- **Air or water cooling** ;
- **Granular ice 80-82% dry**;
- 1L (water) = 1kg (ice) - **A only** ;
- Tropical Class + 43° C;
- Adjustable stainless steel feet;
- **Removable and cleanable air filter**;
- Evaporator in AISI 304 steel;
- Rounded interior for easy cleaning;
- HCFC-Free container insulation;
- Dust-proof sealed water pan;
- RoHS Free;
- **Insulated door with retractable opening** ;
- Electromechanical operation;
- ON/OFF switch;
- Automatic water loading;
- Standard voltage and special voltages;
- HFC Free;

**CE MARK  
MADE IN ITALY**

**TECHNICAL CARD**

<b>power supply</b>	Monofase
<b>Volts</b>	V 230/1
<b>frequency (Hz)</b>	50

<b>motor power capacity (Kw)</b>	0,65
<b>net weight (Kg)</b>	85
<b>gross weight (Kg)</b>	95
<b>breadth (mm)</b>	738
<b>depth (mm)</b>	690
<b>height (mm)</b>	920

#### AVAILABLE MODELS

##### TCF362-GB1540A



#### GRANULAR ICE MACHINE 155 Kg/24h with DEPOSIT 40 kg, Air Cooled

GRANULAR ice maker, yield 155 Kg/24 hours, storage 40Kg, stainless steel exterior, AIR cooled, V 230/1, Kw 0.65, dimensions 738x690x920h mm, weight 85 Kg.

**€ 2.241,98**

VAT excluded  
Shipping to be calculated

Delivery from 4 to 9 days

##### TCF362-GB1540W



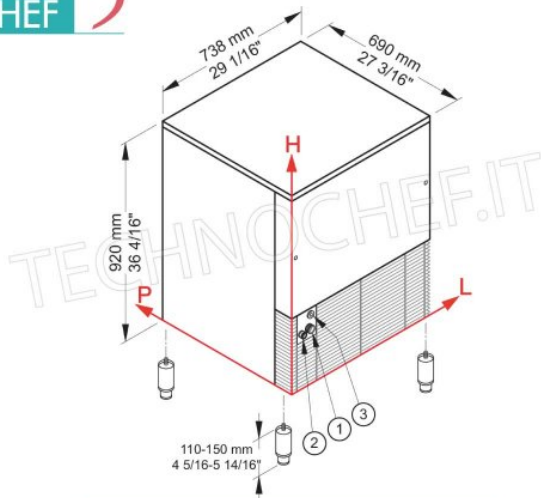
#### GRANULAR ICE MACHINE 155 Kg/24h with DEPOSIT 40 kg, Water Cooled

GRANULAR ice maker, yield 155 Kg/24 hours, storage 40Kg, stainless steel exterior, WATER cooled, V 230/1, Kw 0.65, dimensions 738x690x920h mm, weight 85 Kg.

**€ 2.259,29**

VAT excluded  
Shipping to be calculated

Delivery from 4 to 9 days



#### CONNESSIONI

	L	H	a
1 - Ingresso acqua	104	247	3/4"
2 - Scarico acqua	53	240	24 mm
3 - Connessione Elettrica	92	319	-

