



PROFESSIONAL DESCRIPTION

GRANULAR ICE MAKER with INCORPORATED STORAGE 95 kg production in 24 hours:

- **Structure in 18/8 stainless steel** , Scotch-Brite finish,
- **Internal storage capacity : 20 kg** ,
- **Automatic device** : stops the machine when the ice storage is full,
- **Air or Water Cooling** ,
- Insulated door with **retractable door**;
- Granular ice 80-82% dry;
- 1L (water) = 1kg (ice) - **A only** ;
- Tropical Class + 43° C;
- Adjustable stainless steel feet;
- **Removable and cleanable air filter**;
- Evaporator in AISI 304 steel;
- Rounded interior for **easy cleaning** ;
- HCFC-Free container insulation;
- Dust-proof sealed water pan;
- RoHS Free;
- Electromechanical operation;
- ON/OFF switch;
- Automatic water loading;
- Standard voltage and special voltages;
- HFC Free;

**CE MARK
MADE IN ITALY**

TECHNICAL CARD

power supply	Monofase
Volts	V 230/1
frequency (Hz)	50

motor power capacity (Kw)	0,55
net weight (Kg)	59
gross weight (Kg)	67
breadth (mm)	500
depth (mm)	660
height (mm)	690

AVAILABLE MODELS

TCF362-GB902W



GRANULAR ICE MACHINE 95 Kg/24h with DEPOSIT 20 kg, Water Cooled

GRANULAR ice maker, yield 95 Kg/24 hours, storage 20Kg, stainless steel exterior, WATER cooled, V 230/1, Kw 0.55, dimensions 500x660x690h mm, weight 59 Kg.

€ 1.871,20

VAT excluded
Shipping to be calculated

Delivery from 4 to 9 days

TCF362-GB902A



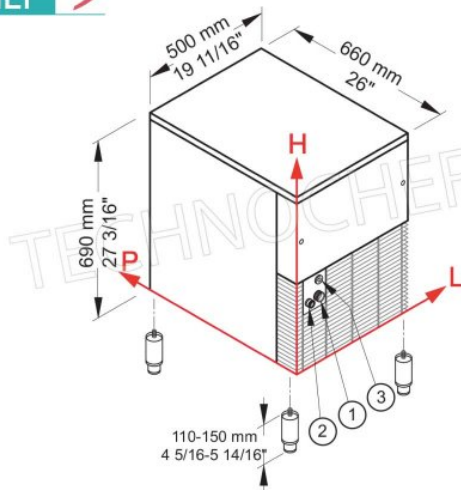
GRANULAR ICE MACHINE 95 Kg/24h with DEPOSIT 20 kg, Air Cooled

GRANULAR ice maker, yield 95 Kg/24 hours, storage 20 Kg, stainless steel exterior, AIR cooled, V 230/1, Kw 0.55, dimensions 500x660x690h mm, weight 59 Kg.

€ 1.848,87

VAT excluded
Shipping to be calculated

Delivery from 4 to 9 days



CONNESSIONI

	L	H	ø
1 - Ingresso acqua	104	247	3/4"
2 - Scarico acqua	53	240	24 mm
3 - Connessione Elettrica	92	319	-



Ice Flakes

Ghiaccio Granulare 80-82 % dry

