



**TECNOSERVICE'21 srl**

by Tinti Sergio  
Via Carlo Pisacane, 134  
61032 Fano (PU) Italy  
P.IVA IT0200411413

Tel. +39 0721 805911  
FAX +39 0721 809794  
e-mail: [staff@technochef.it](mailto:staff@technochef.it)  
[www.technochef.it](http://www.technochef.it)  
[www.technochef.eu](http://www.technochef.eu)

Services and Technologies for professional catering since 1973



CODE	DESCRIPTION	PRICE/DELIVERY
<b>TD-KIBUKN150VC</b>	NEUTRAL DISPLAY COUNTER with CURVED GLASS, 1540 mm LONG, with LIGHTING, V.230/1, Kw.0.11, Weight 150 Kg, dimensions 1540x900x1265h mm	<b>€ 1.742,00</b> <i>VAT excluded</i> <b>Shipping to be calculated</b> <b>Delivery</b> from 20 to 30 days

PROFESSIONAL DESCRIPTION

## NEUTRAL DISPLAY COUNTER with CURVED GLASS, KIBUK Line, length 1540 mm :

- **the elegance of the finishes** and the **design** of the structure make the KIBUK **refrigerated counter essential** both in classic venues and in settings characterized by simple, clean lines;
- with a **depth of just 900 mm**, it is ideal for **placement in narrow environments** ;
- **curved glass that opens downwards** ;
- **display tank** made without the use of CFCs;
- **stainless steel worktop** ;
- **stainless steel display surface** ;
- **thermoformed and insulated** shoulders (50 mm thick each) with **tempered glass side** ;
- **electronic control panel** ;
- **non-refrigerated reserve at counters**;
- **ceiling light** with **neon lighting** ;
- ease of installation;
- Manual, removable evaporator-condensate tray.
- 
- **front finish STANDARD RAL COLORS** : ZINC YELLOW RAL 1018, RED RAL 3020, BLUE RAL 5013, GREEN RAL 6026, BLACK RAL 9005, MELON YELLOW RAL 1028, ORANGE RAL 2008, PASTEL BLUE RAL 5024, LIGHT GREEN RAL 6019, WHITE RAL 9010;
- **color of the SHOULDERS of the standard** bench: **BLACK, WHITE** (to be specified when ordering).

### TECHNICAL DATA :

- Length including shoulders (thickness 50 mm each) 1540 mm
- Power absorbed by lighting (standard equipment) N°/W 1x36
- Display surface 0.83 m<sup>2</sup>
- Reserve volume in liters 249
- Number of non-refrigerated reserve doors (opening thickness 240x440 mm) n°2

### OPTIONAL / ACCESSORIES :

- Front finish in wood-stained MDF-hydro, available colours: WHITE, DARK BROWN, BLACK (to be specified when ordering).
- Intermediate shelf in tempered glass with supports
- Rear sliding plexiglass closures
- Nylon cutting board
- Stainless steel scale support
- Movable glass divider
- Wheel set
- Stainless steel paper holder
- Knife holder
- Packaging in wooden cage (glasses removed)


### CE MARK

### MADE IN ITALY

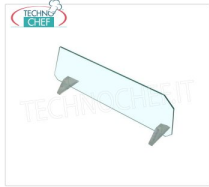
#### TECHNICAL CARD

<b>power supply</b>	Monofase
<b>Volts</b>	V 230/1
<b>frequency (Hz)</b>	50
<b>motor power capacity (Kw)</b>	0,11
<b>gross weight (Kg)</b>	150
<b>breadth (mm)</b>	1540
<b>depth (mm)</b>	900
<b>height (mm)</b>	1265

#### TECHNICAL CARD

CODE/PICTURES	DESCRIPTION	PRICE/DELIVERY
<b>TD-GABBIA-150SM</b> 	<b>Wooden cage Removable glasses</b> Disassembled glass wooden cage, dimensions 1620x1000x1120h mm.	<b>€ 87,92</b> <i>VAT excluded</i> <b>Shipping to be calculated</b> <b>Delivery</b> from 4 to 9 days

**TD-DIVISMOBBS80**



**Mobile glass partition**  
Movable glass partition, height 215 mm

**€ 133,96**  
*VAT excluded*  
**Shipping to be calculated**

**Delivery** from 4 to 9 days

**TD-MENK150**



**Intermediate shelf**  
Intermediate shelf in tempered glass with supports 150 cm

**€ 154,24**  
*VAT excluded*  
**Shipping to be calculated**

**Delivery** from 4 to 9 days

**TD-SCORRK150**

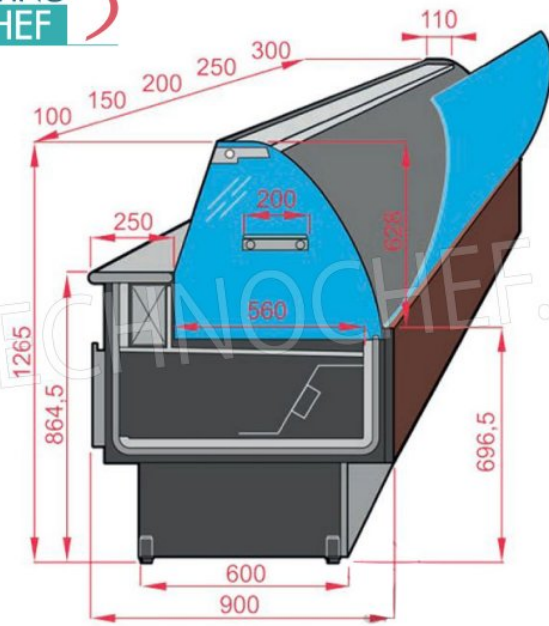


**Rear sliding doors in plexiglass**  
Rear sliding closures in plexiglass 150 cm

**€ 180,86**  
*VAT excluded*  
**Shipping to be calculated**

**Delivery** from 4 to 9 days





• COLORI RAL STANDARD

Standard Ral colours

FINITURA

FRONT PANEL

1018	3020	5013	6026	9005
1028	2008	5024	6019	9010

NERO / BLACK	BIANCO / WHITE	SPALLE LATERALI STANDARD STANDARD SIDE WALLS
--------------	----------------	---