



TECNOSERVICE'21 srl

by Tinti Sergio
Via Carlo Pisacane, 134
61032 Fano (PU) Italy
P.IVA IT0200411413

Tel. +39 0721 805911
FAX +39 0721 809794
e-mail: staff@technochef.it
www.technochef.it
www.technochef.eu

Services and Technologies for professional catering since 1973



CODE	DESCRIPTION	PRICE/DELIVERY
TC-GASTRO	Horizontal countertop refrigerating display case in ABS/white plastic, without protection, operating temperature +2/+10°C, trays excluded, V.230/1, Kw.0.13, Weight 25 Kg, dim.mm. 600x400x370h	€ 554,97 <i>VAT excluded</i> Shipping to be calculated Delivery from 4 to 9 days

PROFESSIONAL DESCRIPTION

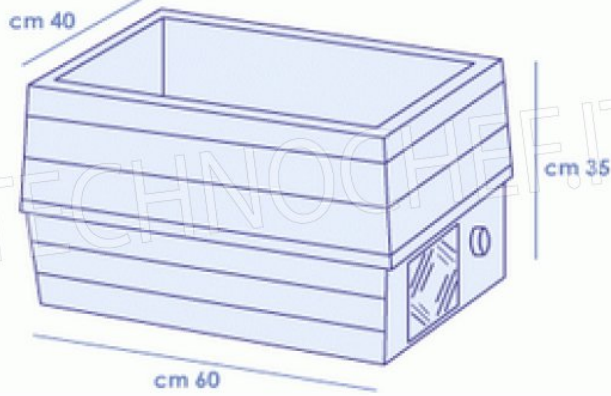
Horizontal countertop REFRIGERATING DISPLAY CASES , without protection:

- **structure in high resistance plastic material (ABS /white plastic),**
- rounded edges both externally and internally,
- anti-reflective surfaces that do not show stains and fingerprints,
- copper evaporator,
- refrigerant gas ECO R134a,
- **Working temperature +2°+10° adjustable with digital tele-thermometer ,**
- ECO insulation no CFC,
- **low energy consumption ,**
- dust or flour filter,
- supports for high mounting above the bench,
- **Euro-gastronorm containers not included .**

CE MARK
MADE IN ITALY

TECHNICAL CARD

power supply	Monofase
Volts	V 230/1
frequency (Hz)	50
motor power capacity (Kw)	0,13
net weight (Kg)	18
gross weight (Kg)	25
breadth (mm)	600
depth (mm)	400



Possibili Combinazioni

