



PROFESSIONAL DESCRIPTION

HOT INFRARED TABLE on ALUMINUM FRAME with LIGHTING for Under-Application - COMPLETE RANGE with length from 457 mm to 1,829 mm :

- ensures **uniform heat distribution** , without cold areas;
- maintains the temperature of the food without drying or continuing cooking, ensures maximum fragrance, safety and storage time;
- The end result is a **hot or fresh dish ready to be served** ;
- The resistant continuous aluminum body and the sturdy assemblies ensure durability and quality of the products;
- robust casings in non-deformable extruded aluminum from 457 to 1829 mm;
- The reflector does not blacken, ensuring a **constant supply of heat** , the reinforced protection provides operator safety without affecting heat distribution;
- possibility of fixing with brackets, with chains or with the comfortable C and T supports (Optional).

Accessories / Optional :

- pair of C-supports h 343 mm
- pair of T-supports h 343 mm
- ceiling fixing plates
- suspension chain 60 cm

CE mark

AVAILABLE MODELS

KR-GRAHL18



Technochef - INFRARED HOT PLATE for Shelves with LIGHTING, Mod.GRAHL18

Infrared hot surface on aluminum frame for shelves with lighting, V.230/1, W.470, dim.mm.457x229x64h

€ 502,75

VAT excluded
Shipping to be calculated

Delivery

KR-GRAHL24**Technochef - INFRARED HOT PLATE for Shelves with LIGHTING, Mod.GRAHL24**

Infrared HOT PLATE on aluminum frame for shelves with lighting, V.230/1, W.620, dim.mm.610x229x64h

€ 522,61

VAT excluded
Shipping to be calculated

Delivery

KR-GRAHL30**Technochef - INFRARED HOT PLATE for Shelves with LIGHTING, Mod.GRAHL30**

Infrared hot surface on aluminum frame for SHELVES with lighting, V.230/1, W.780, dim.mm.762x229x64h

€ 578,00

VAT excluded
Shipping to be calculated

Delivery

KR-GRAHL36**Technochef - Infrared HOT PLATE for Shelves with LIGHTING, Mod.GRAHL36**

Infrared HOT PLATE on aluminum frame for shelves with lighting, V.230/1, W.980, dim.mm.914x229x64

€ 636,53

VAT excluded
Shipping to be calculated

Delivery

KR-GRAHL42**Technochef - INFRARED HOT PLATE for Shelves with LIGHTING, Mod.GRAHL42**

Infrared HOT PLATE on aluminum frame for shelves with lighting, V.230/1, W 1.130, dim.mm.1067x229x64h

€ 694,03

VAT excluded
Shipping to be calculated

Delivery

KR-GRAHL48**Technochef - INFRARED HOT PLATE for Shelves with LIGHTING, Mod.GRAHL48**

Infrared HOT PLATE on aluminum frame for shelves with lighting, V.230/1, W 1.340, dim.mm.1219x229x64

€ 750,46

VAT excluded
Shipping to be calculated

Delivery

KR-GRAHL54**Technochef - Infrared HOT PLATE for Shelves with LIGHTING, Mod.GRAHL54**

Infrared hot surface on aluminum frame for shelves with lighting, V.230/1, W 1490, dim.mm.1372x229x64

€ 818,40

VAT excluded
Shipping to be calculated

Delivery

KR-GRAHL60**Technochef - INFRARED HOT PLATE for Shelves with LIGHTING, Mod.GRAHL60**

Infrared HOT PLATE on aluminum frame for shelves with lighting, V.230/1, W 1.700, dim.mm.1522x229x64h

€ 889,47

VAT excluded
Shipping to be calculated

Delivery

KR-GRAHL66**Technochef - INFRARED HOT PLATE for Shelves with LIGHTING, Mod.GRAHL66**

Infrared HOT PLATE on aluminum frame for shelves with lighting, V.230/1, W 1.860, dim.mm.1676x229x64h

€ 969,96

VAT excluded
Shipping to be calculated

Delivery

KR-GRAHL72



TechnoChef - INFRARED HOT PLATE for Shelves with LIGHTING, Mod.GRAHL72

Infrared HOT PLATE on aluminum frame for shelves with lighting, V.230/1, W 2.085, dim.mm.1828x229x64

€ 1.079,70

VAT excluded
Shipping to be calculated

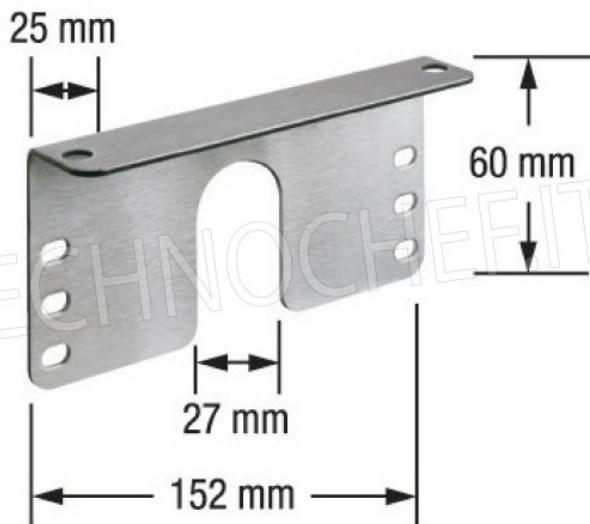
Delivery





TECHNOCHEF.IT

Catenella per sospensione



TECHNOCHEFIT

Piastre di fissaggio a soffitto

