



CODE	DESCRIPTION	PRICE/DELIVERY
TCF024-003800	Professional cutter with 5 liter stainless steel bowl, 1 speed, rpm 730 rpm, V 230/1, Kw 1.15, weight 24.6 Kg, dim.mm.710x320x850h.	€ 732,68 <i>VAT excluded</i> Shipping to be calculated Delivery from 4 to 9 days

PROFESSIONAL DESCRIPTION

Professional CUTTER with 5 liter stainless steel bowl, 1 speed, 730 rpm:

- **Anodized aluminum structure,**
- **5 liter stainless steel** tank, removable,
- **Tank lid in transparent** food-grade polycarbonate
- **safety devices** : micro switch on the lid (the machine only works if this is closed,
- switch under the enclosure, **low voltage start/stop buttons** with relay,
- **rubber feet** that ensure a good grip on the work surface and therefore safe operations.
- supplied Knife with 2 removable sharp blades

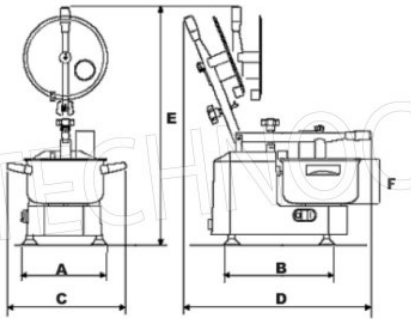
Accessories-Optional:

- Mixer knife with 2 blades
- Mixer knife with 4 blades
- Knife with 4 sharp blades

CE MARK
MADE IN ITALY

TECHNICAL CARD

power supply	Monofase
Volts	V 230/1
frequency (Hz)	50
motor power capacity (Kw)	1,15
net weight (Kg)	24,6
breadth (mm)	710
depth (mm)	320



DIMENSIONI E PESO

- A mm 260
- B mm 360
- C mm 320
- D mm 710
- E mm 850
- Peso kg 24.6