



TECNOSERVICE'21 srl

by Tinti Sergio
Via Carlo Pisacane, 134
61032 Fano (PU) Italy
P.IVA IT0200411413

Tel. +39 0721 805911
FAX +39 0721 809794
e-mail: staff@technochef.it
www.technochef.it
www.technochef.eu

Services and Technologies for professional catering since 1973



CODE	DESCRIPTION	PRICE/DELIVERY
SI-KATANA12VV	Horizontal cutter with 12 liter stainless steel tank, continuous inverter speed variator 600/2600 rpm, V. 230/1, Kw.0,824, Weight 71 Kg, dim.mm.758x393x508h	€ 3.320,27 <i>VAT excluded</i> Shipping to be calculated Delivery from 4 to 9 days

PROFESSIONAL DESCRIPTION

Horizontal cutter with 12 liter stainless steel tank, Continuous inverter speed variator, 600/2600 rpm :

- **completely made of AISI 304 stainless steel ;**
- **blades driven by a powerful ventilated asynchronous motor ;**
- **robust AISI 304 stainless steel tank** , removable;
- **stainless steel lid** , with high-resistance food-grade Kepital cap;
- interlocked lid easily removable to facilitate cleaning and sanitization;
- controls with IP 67 stainless steel buttons;
- **easily removable hub with 3 standard blades** (configurable to 2 blades);
- specific blade hubs available for particular processes;
- maximum protection against liquid infiltration on the shaft;
- **ideal for meat , fish and vegetables** but **also suitable for many other processes ;**
- **continuous speed variator managed by inverter ;**
- **three-phase motor powered by 220V ;**
- independent bowl gearmotor.

Accessories/Options :

- stainless steel legs with wheels and brake.
- hubs with dull, toothed or blunt blades.

CE mark

Made in Italy

TECHNICAL CARD

net weight (Kg)	71
gross weight (Kg)	89,5
breadth (mm)	758

depth (mm) 393

height (mm) 508

TECHNICAL CARD

CODE/PICTURES

DESCRIPTION

PRICE/DELIVERY

SI-LF0221A12101010



TECHNOCHEF - Complete hubs 3 blades not sharpened, Mod.LF0221A12101010

Complete hubs 3 blades not sharp for horizontal cutter
Cod.KATANA12

€ 57,20

VAT excluded
Shipping to be calculated

Delivery from 4 to 9 days

SI-LF0221A12131111



TECHNOCHEF - Complete hubs 3 toothed blades, Mod.LF0221A12131111

Complete hubs 3 serrated blades for horizontal cutter
Cod.KATANA12

€ 84,31

VAT excluded
Shipping to be calculated

Delivery from 4 to 9 days

SI-LF0221A12232523



TECHNOCHEF - Complete hubs 3 bevelled blades, Mod.LF0221A12232523

Complete hubs 3 bevelled blades for horizontal cutter
Cod.KATANA12

€ 84,97

VAT excluded
Shipping to be calculated

Delivery from 4 to 9 days

SI-LF022112122100



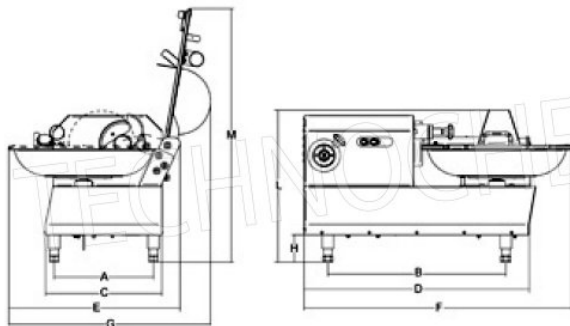
TECHNOCHEF - Legs for Horizontal Cutter, Mod.LF022112122100

Legs for horizontal cutter Cod.KATANA12

€ 458,21

VAT excluded
Shipping to be calculated

Delivery from 4 to 9 days



A mm 390

B mm 650

C mm 450

D mm 820

E mm 700

F mm 1013

G mm 822

H mm 92

L mm 572

M mm 1010