



TECNOSERVICE'21 srl

by Tinti Sergio
Via Carlo Pisacane, 134
61032 Fano (PU) Italy
P.IVA IT0200411413

Tel. +39 0721 805911
FAX +39 0721 809794
e-mail: staff@technochef.it
www.technochef.it
www.technochef.eu

Services and Technologies for professional catering since 1973



CODE	DESCRIPTION	PRICE/DELIVERY
SI-CTRONIC9PLUS	Professional cutter with 9.4 liter stainless steel bowl, powerful asynchronous motor with inverter, 600÷3500 rpm, V.230/1, 1.5 kW, weight 30 kg, dim.mm.560x319x420h	€ 1.806,97 <i>VAT excluded</i> Shipping to be calculated Delivery from 4 to 9 days

PROFESSIONAL DESCRIPTION

Professional cutter with 9.4 liter stainless steel tank, powerful asynchronous motor with inverter, 600÷3500 rpm :

- **robust die-cast** and **extruded** aluminum structure;
- motor and tank side by side which allow the processed product to be insulated from heat;
- **stainless steel tub** with **thermal bottom** and handles;
- tank capacity 9.4 litres;
- useful tank capacity 5.4 litres;
- **high efficiency ventilated motors** for continuous use;
- **sturdy knives with curved blades in tempered cutlery steel** ;
- **safety microswitch** on cover;
- **microswitch on lever** ;
- transparent Tritan lid which allows excellent visibility during processing;
- **hole for adding ingredients on the lid** ;
- **powerful asynchronous motor with inverter** for power control at all speeds;
- **processing speed up to 3,500 rpm** ;
- **stainless steel knife hub** ;
- scraper spatula for cleaning the tank and lid during processing.

Supplied :

- spatula and blade sharpening plate.
- blade sharpening plate.

Accessories/Options :

- hub with toothed blades
- hub with perforated blades
- pesto hub
- dough hub



CE mark

Made in Italy

TECHNICAL CARD

power supply	Monofase
Volts	V 230/1
frequency (Hz)	50
motor power capacity (Kw)	1,5
net weight (Kg)	23
breadth (mm)	560
depth (mm)	319
height (mm)	420

TECHNICAL CARD

CODE/PICTURES	DESCRIPTION	PRICE/DELIVERY
<p>SI-MSC09AMOF</p> 	<p>TECHNOCHEF - Hub complete with perforated knives, Mod. MSC09AMOF Hub complete with perforated knives for Cutter Mod.CTRONIC9</p>	<p>€ 84,31 <i>VAT excluded</i> Shipping to be calculated Delivery from 4 to 9 days</p>
<p>SI-MSC09AMOZ</p> 	<p>TECHNOCHEF - Hub complete with toothed knives, Mod. MSC09AMOZ Hub complete with notched knives for Cutter Mod.CTRONIC9</p>	<p>€ 87,14 <i>VAT excluded</i> Shipping to be calculated Delivery from 4 to 9 days</p>

SI-MSC09AMO1



TECHNOCHEF - Hub complete with knives for dough, Mod. MSC09AMO1
Hub complete with knives for dough for Cutter Mod.CTRONIC9

€ 87,14

VAT excluded
Shipping to be calculated

Delivery from 4 to 9 days

SI-MSC09AMOP



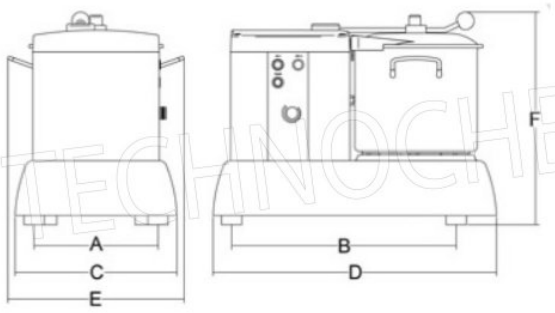
TECHNOCHEF - Hub complete with PESTO knives, Mod. MSC09AMOP
Hub complete with PESTO knives for Cutter Mod.CTRONIC9

€ 112,41

VAT excluded
Shipping to be calculated

Delivery from 4 to 9 days





A mm 244

B mm 443

C mm 319

D mm 560

E mm 348

F mm 420