



TECNOSERVICE'21 srl

by Tinti Sergio
Via Carlo Pisacane, 134
61032 Fano (PU) Italy
P.IVA IT0200411413

Tel. +39 0721 805911
FAX +39 0721 809794
e-mail: staff@technochef.it
www.technochef.it
www.technochef.eu

Services and Technologies for professional catering since 1973



CODE	DESCRIPTION	PRICE/DELIVERY
BS-G7F2M	GAS STOVE 2 BURNERS on OPEN CABINET, BERTO'S, MACROS 700 Line, HIGH POWER Series, thermal power Kw.10,5, Weight 38 Kg, dim.mm.400x700x900h	€ 949,74 <i>VAT excluded</i> Shipping to be calculated Delivery from 15 to 25 days

PROFESSIONAL DESCRIPTION

GAS STOVE with 2 BURNERS on OPEN CABINET, MACROS 700 Line, HIGH POWER Series :

- **worktop and front panels in AISI 304 stainless steel ;**
- high power single and double ring **burners guaranteed for life** entirely in nickel-plated cast iron operated by a valved tap with safety thermocouple and pilot light;
- **cast iron grills ;**
- **80 mm burners entirely in cast iron** , with regulation up to 3.5 kW, **and 110 mm** , with regulation up to 7 kW;
- **open fire power n°x kW : 1 x 3.5 kW + 1 x 7 kW ;**
- removable trays for maximum hygiene and easy maintenance;
- adjustable feet;
- **2 year warranty .**

Accessories/Options:

- compartment door

CE mark

Made in Italy

TECHNICAL CARD

Thermal input (Kw)	10,5
net weight (Kg)	38
breadth (mm)	400
depth (mm)	700
height (mm)	900

TECHNICAL CARD

CODE/PICTURES	DESCRIPTION	PRICE/DELIVERY
---------------	-------------	----------------

BS-1PDX

TECHNOCHEF - Right Door, Mod.1PDX
Right hand door for 400 mm compartment

€ 94,83

VAT excluded
Shipping to be calculated

Delivery from 4 to 9 days

BS-1PSX

TECHNOCHEF - Left Door, Mod.1PSX
Left door for 400 mm compartment

€ 94,83

VAT excluded
Shipping to be calculated

Delivery from 4 to 9 days



Macros 700

highpower

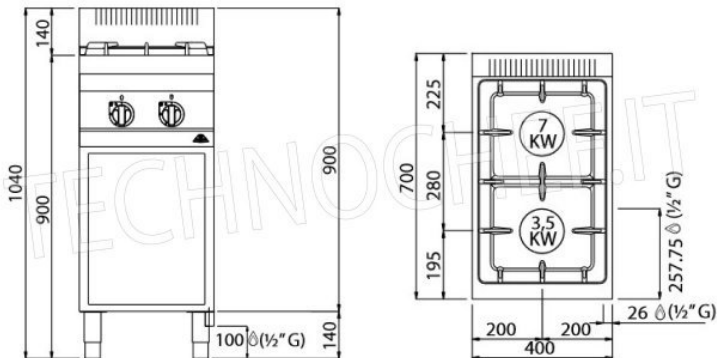
HIGH POWER

	n.	1	1
	∅ mm	80	110
	kW	3,5	7
	kcal/h	3.010	6.020
	Btu/h	11.942	23.884
	kW	10,5	
	kcal/h	9.030	
	Btu/h	35.826	
TOT.			
	G30/G31	kg/h	0,83
	G20	m ³ /h	1,11
	G25	m ³ /h	1,29



Macros 700

highpower



Macros 700

HIGH POWER



3,5 kW



7 kW