



#### PROFESSIONAL DESCRIPTION

**AUTOMATIC FLYWHEEL SLICER BERKEL mod. B116A for PROFESSIONAL USE, with BLADE diameter 370 mm , available in the standard colors red and black:**

- **Berkel** presents the historic **B116 flywheel** in its **automatic model** , maintaining the **characteristics of craftsmanship** and design of the traditional one, but with a greater cutting speed;
- **designed for very intensive use** , capable of satisfying even the high productivity typical of the hypermarket;
- **full flywheel** ;
- **aluminum construction** ;
- centesimal slice thickness adjustment system with incremental precision;
- **slice guard , collecting plate , sliding stainless steel overplate** ;
- **360° blade protection ring** with mechanized drive;
- automatic advancement system coordinated with the sail to guarantee immediately straight and waste-free cuts;
- **built-in sharpener** with coordinated drive of the grinding wheels;
- automatic movement of the trolley with variable speed;
- overlay easily removable for cleaning;
- **blade diameter 370 mm** ;
- **circular cutting capacity** : 260 mm;
- **rectangular cutting capacity** : 290 x 260h mm;
- **slice thickness** : 0 - 4 mm.

#### Accessories/Options :

- pedestal

**CE mark**

**Made in Italy**

#### TECHNICAL CARD

<b>power supply</b>	Monofase
<b>Volts</b>	V 230/1
<b>frequency (Hz)</b>	50
<b>net weight (Kg)</b>	100

breadth (mm) 960

depth (mm) 780

height (mm) 720

#### AVAILABLE MODELS

##### VB-VOLANOB116A/R



##### BERKEL - Automatic flywheel slicer B116A, Red color

Professional automatic flywheel slicer, red color, with blade diameter mm 370, V.230 / 1, Kw.0,75, Weight 100 Kg, dim.mm.960x780x720h

**€ 13.196,42**

*VAT excluded*  
**Shipping to be calculated**

**Delivery** from 10 to 18 days

##### VB-VOLANOB116A/N



##### BERKEL - Automatic flywheel slicer B116A, black color

Professional automatic flywheel slicer, black color, with blade diameter mm 370, V.230 / 1, Kw.0,75, Weight 100 Kg, dim.mm.960x780x720h

**€ 13.196,42**

*VAT excluded*  
**Shipping to be calculated**

**Delivery** from 10 to 18 days

#### TECHNICAL CARD

CODE/PICTURES

DESCRIPTION

PRICE/DELIVERY

##### VB-PIEDISTALLOB116/R



##### BERKEL - Red Pedestal for Flywheel Slicer B116 / B116A / B116SA

Support pedestal in red painted cast iron for Flywheel Slicer Mod.B116 / B116A / B116SA, Weight 75 Kg, dim.mm.685x555x790h mm

**€ 1.188,95**

*VAT excluded*  
**Shipping to be calculated**

**Delivery** from 10 to 18 days

##### VB-PIEDISTALLOB116/N



##### BERKEL - Black Pedestal for Flywheel Slicer B116 / B116A / B116SA

Support pedestal in black painted cast iron for Flywheel Slicer Mod.B116 / B116A / B116SA, Weight 75 Kg, dim.mm.685x555x790h mm

**€ 1.188,95**

*VAT excluded*  
**Shipping to be calculated**

**Delivery** from 10 to 18 days

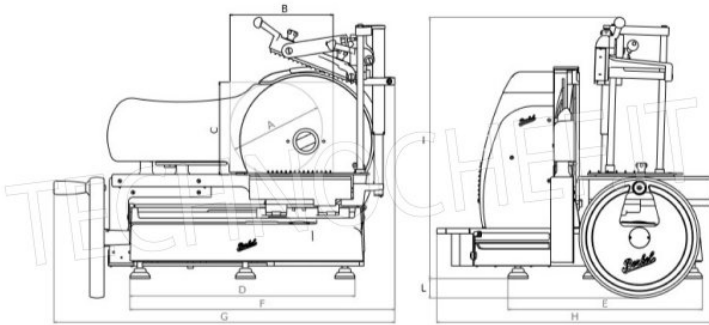




Piedistallo  
Optional



Piedistallo  
Optional



	A	B	C	D	E	F	G	H	I	L
	mm	mm	mm	mm	mm	mm	mm	mm	mm	mm
<b>B116A</b>	260	290	260	590	550	755	960	780	720	55