



PROFESSIONAL DESCRIPTION

TRIBUTE - BERKEL MANUAL FLYWHEEL SLICER, with BLADE diameter 300 mm, available in the standard colors red and black :

- the **Berkel Tribute**, a flywheel slicer **re-edition of the historic Berkel model B ("Indianina") from the 1920s**, is a tribute to tradition and elegance, for those who want intensive use in a precious design ;
- The **flowered flywheel**, the **golden decorations** and the **refined design** make this slicer a tribute to tradition;
- **made in an artisanal way**, appreciated by lovers of beauty, good food and all those who know how fundamental the cut is to maintain and enhance the quality of the product;
- thanks to **an important cutting capacity**, it is ideal for lovers of real taste and flavours, but its elegance makes it perfect for lovers of beauty;
- **collector plate** and **details in stainless steel** ;
- **feet that can be mounted** in two different configurations;
- rapid plate advancement and return system;
- **built-in sharpener** ;
- **slice thickness adjustment system with decimal advance** ;
- overplate, food tray, collecting plate and sharpener easily removable for cleaning;
- **partially removable blade protection** to ensure safety and cleaning;
- **blade diameter 300 mm**;
- **circular cutting capacity** : 210 mm;
- **rectangular cutting capacity** : 270 x 210h mm;
- **slice thickness** : 0 - 1.5 mm.

Accessories/Options :

- pedestal.

CE mark

Made in Italy

TECHNICAL CARD

net weight (Kg)	52
breadth (mm)	805
depth (mm)	670
height (mm)	700

AVAILABLE MODELS

VB-VOLANO TRIBUTE/R

BERKEL - Tribute Flywheel Slicer, Red colour
 Manual flywheel slicer, brand BERKEL, red colour, with blade diameter mm 300, Weight 52 Kg, dim.mm.805x670x700h

€ 5.763,10

VAT excluded
Shipping to be calculated

Delivery from 10 to 18 days

VB-VOLANO TRIBUTE/N

BERKEL - Tribute Flywheel Slicer, Black color
 Manual flywheel slicer, brand BERKEL, black colour, with blade diameter mm 300, Weight 52 Kg, dim.mm.805x670x700h

€ 5.763,10

VAT excluded
Shipping to be calculated

Delivery from 10 to 18 days

TECHNICAL CARD

CODE/PICTURES

DESCRIPTION

PRICE/DELIVERY

VB-PIEDISTALLOB3/B114/TRIBUTE-R**BERKEL - Red Pedestal for Slicer Flywheel B3 / TRIBUTE / B114**

Red painted cast iron support pedestal for Flywheel Slicer Mod. B3 / TRIBUTE / B114, Weight 45 Kg, dim.mm.580x580x780h

€ 1.188,95

VAT excluded
Shipping to be calculated

Delivery from 10 to 18 days

VB-PIEDISTALLOB3/B114/TRIBUTE-N**BERKEL - Black stand for flywheel slicer B3 / TRIBUTE / B114**

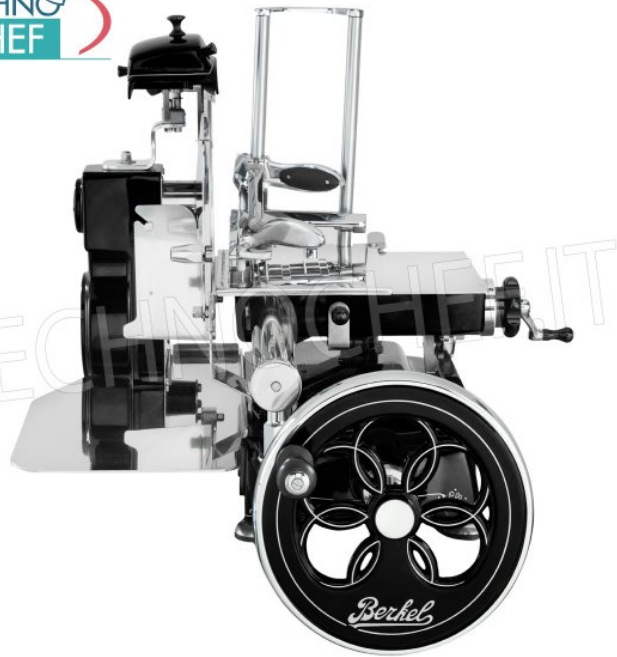
Support pedestal in black painted cast iron for Flywheel Slicer Mod. B3 / TRIBUTE / B114, Weight 45 Kg, dim.mm.580x580x780h

€ 1.188,95

VAT excluded
Shipping to be calculated

Delivery from 10 to 18 days



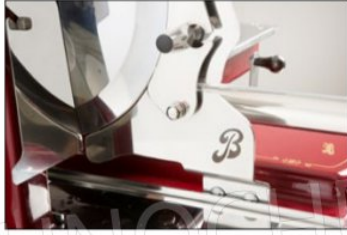




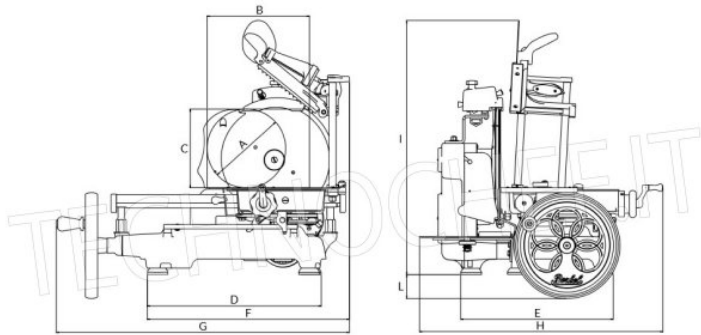
Piedistallo
Optional



Piedistallo
Optional



TECHNOCHEF.IT



	A	B	C	D	E	F	G	H	I	L
	mm	mm	mm	mm	mm	mm	mm	mm	mm	mm
TRIBUTE	210	270	210	470	415	555	805	670	700	70