



PROFESSIONAL DESCRIPTION

BERKEL - MANUAL FLYWHEEL SLICER mod. B114, with BLADE diameter 319 mm , available in the standard colors red and black :

- **B114 flywheel slicer for delicatessen** is also made for **intensive use** and is **suitable for all types of cured meats** , in particular for **raw hams and more valuable cured meats** ;
- **flowered flywheel as standard** ;
- **aluminum construction** ;
- **stainless steel** and **chromed** details;
- **slice guard , collecting plate , sliding stainless steel overplate;**
- feet that can be mounted in two different configurations;
- rapid plate advancement and return system;
- **built-in sharpener** ;
- **slice thickness adjustment system with decimal advance** ;
- slice guard, collecting plate, sliding overplate and sharpener easily removable for cleaning;
- **360° blade protection ring** ;
- **blade diameter 319 mm** ;
- **circular cutting capacity** : 215 mm;
- **rectangular cutting capacity** : 280 x 215h mm;
- **slice thickness** : 0 - 1.5 mm.

Accessories/Options :

- pedestal

CE mark

Made in Italy

TECHNICAL CARD

net weight (Kg)	55
breadth (mm)	825
depth (mm)	670
height (mm)	700

AVAILABLE MODELS

VB-VOLANOB114/R



Flywheel Slicer B114, Red color

Manual flywheel slicer, BERKEL brand, red color, with blade diameter mm 319, Weight 55 Kg, dim.mm.825x670x700h

€ 6.347,01

VAT excluded
Shipping to be calculated

Delivery from 10 to 18 days

VB-VOLANOB114/N



Flywheel Slicer B114, Black color

Manual flywheel slicer, BERKEL brand, black color, with blade diameter mm 319, Weight 55 Kg, dim.mm.825x670x700h

€ 6.347,01

VAT excluded
Shipping to be calculated

Delivery from 10 to 18 days

TECHNICAL CARD

CODE/PICTURES

DESCRIPTION

PRICE/DELIVERY

VB-PIEDISTALLOB3/B114/TRIBUTE-R



BERKEL - Red Pedestal for Slicer Flywheel B3 / TRIBUTE / B114

Red painted cast iron support pedestal for Flywheel Slicer Mod. B3 / TRIBUTE / B114, Weight 45 Kg, dim.mm.580x580x780h

€ 1.188,95

VAT excluded
Shipping to be calculated

Delivery from 10 to 18 days

VB-PIEDISTALLOB3/B114/TRIBUTE-N



BERKEL - Black stand for flywheel slicer B3 / TRIBUTE / B114

Support pedestal in black painted cast iron for Flywheel Slicer Mod. B3 / TRIBUTE / B114, Weight 45 Kg, dim.mm.580x580x780h

€ 1.188,95

VAT excluded
Shipping to be calculated

Delivery from 10 to 18 days







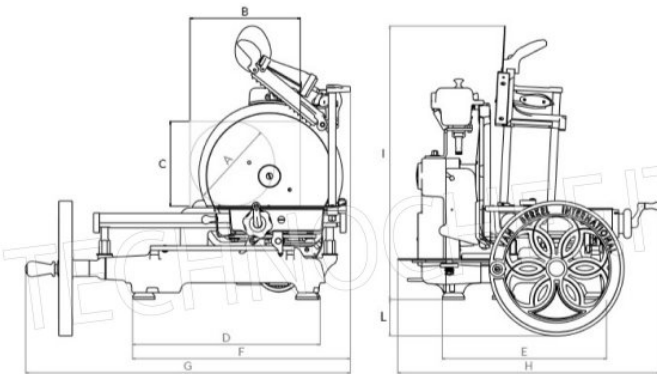
Piedistallo
Optional



Piedistallo
Optional



TECHNOCHEF.IT



	A	B	C	D	E	F	G	H	I
	mm	mm	mm	mm	mm	mm	mm	mm	mm
B2	160	190	150	395	265	465	680	530	540