



#### PROFESSIONAL DESCRIPTION

**MANUAL FLYWHEEL SLICER B2, BERKEL brand, with BLADE diameter 265 mm, available in the standard colors RED and BLACK :**

- The manual flywheel slicer for those looking for class, in their homes and on the table, **its elegance enhances the environments** , the **perfect cut celebrates the flavours** , all this in a jewel of small dimensions;
- Berkel B2, the flywheel slicer with **small dimensions and minimal overall dimensions** , is a manual machine that respects tradition;
- the vintage slicer, **still built in an artisanal way** , remains a jewel of the past, **a precious and elegant furnishing element** , the pride of refined lovers of taste;
- of not excessively heavy construction, ideal for the traditional style and for a **professional but not intensive cut** ;
- **full standard flywheel** ;
- collector plate in technical polymer;
- **rapid plate advancement and return system** ;
- built-in sharpener;
- **slice thickness adjustment system** ;
- blade protection, product tray, collecting plate and sharpener easily removable for cleaning;
- **blade diameter 265 mm** ;
- **circular cutting capacity** : 160 mm;
- **rectangular cutting capacity** : 190 x 150h mm;
- **slice thickness** : 0 - 2 mm.

#### Accessories/Options :

- pedestal.

**CE mark**

**Made in Italy**

#### TECHNICAL CARD

<b>net weight (Kg)</b>	33
<b>breadth (mm)</b>	680
<b>depth (mm)</b>	530
<b>height (mm)</b>	540

#### AVAILABLE MODELS

**VB-VOLANOB2/R**

**Berkel - FLYWHEEL SLICER Mod.B2, blade Ø 265 mm, Red**  
 Manual flywheel slicer, BERKEL brand, RED color, with blade diameter mm 265, weight 33 kg, dim.mm.680x530x540h

**€ 4.798,68**

*VAT excluded*  
**Shipping to be calculated**

**Delivery** from 10 to 18 days**VB-VOLANOB2/N**

**Berkel - FLYWHEEL SLICER mod. B2, blade Ø 265 mm, Black**  
 Manual flywheel slicer, Brand BERKEL, BLACK color, with blade diameter mm 265, Weight 33 Kg, dim.mm.680x530x540h

**€ 4.798,68**

*VAT excluded*  
**Shipping to be calculated**

**Delivery** from 10 to 18 days**TECHNICAL CARD**

CODE/PICTURES

DESCRIPTION

PRICE/DELIVERY

**VB-PIEDISTALLOB2/R**

**BERKEL - Red B2 pedestal for Flywheel slicer mod. B2**  
 Red painted cast iron support pedestal for B2 flywheel slicer, weight 65 kg, dim.mm.400x500x800h

**€ 1.188,95**

*VAT excluded*  
**Shipping to be calculated**

**Delivery** from 10 to 18 days**VB-PIEDISTALLOB2/N**

**BERKEL - Black B2 Pedestal for Flywheel Slicer mod. B2**  
 Black painted cast iron support pedestal for B2 flywheel slicer, weight 65 kg, dim.mm.400x500x800h

**€ 1.188,95**

*VAT excluded*  
**Shipping to be calculated**

**Delivery** from 10 to 18 days

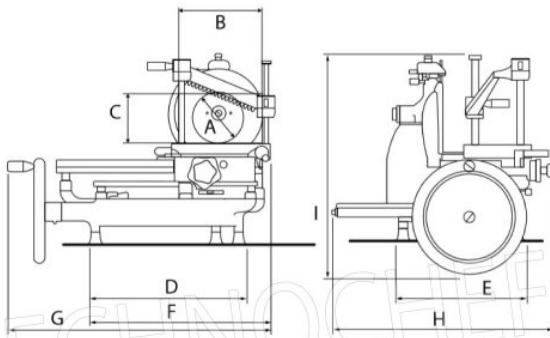




Piedistallo  
Cod. B300STAND (Optional)



Piedistallo  
Optional



	A	B	C	D	E	F	G	H	I
	mm	mm	mm	mm	mm	mm	mm	mm	mm
<b>B2</b>	160	190	150	395	265	465	680	530	540