



**TECNOSERVICE'21 srl**

by Tinti Sergio  
Via Carlo Pisacane, 134  
61032 Fano (PU) Italy  
P.IVA IT0200411413

Tel. +39 0721 805911  
FAX +39 0721 809794  
e-mail: [staff@technochef.it](mailto:staff@technochef.it)  
[www.technochef.it](http://www.technochef.it)  
[www.technochef.eu](http://www.technochef.eu)

Services and Technologies for professional catering since 1973



#### PROFESSIONAL DESCRIPTION

**ACTIVATED CARBON SUCTION and DEODORIZATION UNITS with ELECTROSTATIC, POCKET and SYNTHETIC PRE-FILTERS, COMPLETE RANGE in THREE-PHASE version, with max flow rate from 3,000 to 12,000 m<sup>3</sup>/cu/h:**

- **air deodorization and filtration units** complete with **double suction centrifugal fan in version with belts and pulleys** ;
- EU3 type 85% gravimetric **air pre-filter** ;
- **pocket filter** type EU9 95% gravimetric;
- **cylinders with activated vegetable carbon** in small cylinders type 207/C;
- high intensity **electrostatic filter** with thermostat protection;
- **aluminum profile frame** ;
- **double paneling in galvanized sheet metal inside and stainless steel** outside;
- double panel;
- 3-piece construction for Mods: CCE 175 (1150+600+650 mm), CCE 190 / 1120 (1200+600+800 mm).

#### Accessories/Options:

- spare carbon filter, diam.mm 160x400
- spare coal bag, weight 25 Kg.

**NB** : on request the control unit is available in the **2-speed version** with a 10% surcharge

**CE mark**

**Made in Italy**

#### AVAILABLE MODELS

**TCF475-007100**



**Activated carbon deodorization units, with electrostatic, pocket and synthetic pre-filters**  
DEODORIZATION UNIT with 9 CYLINDERS of vegetable activated carbon, electrostatic, pocket and synthetic pre-filters, max. .mm.2300x670x670h

**€ 4.160,43**

*VAT excluded*  
**Shipping to be calculated**

**Delivery** from 8 to 15 days

**AIF-TCF475-007200**



**Activated carbon deodorization units, with electrostatic, pocket and synthetic pre-filters**  
DEODORIZATION UNIT with 14 CYLINDERS of activated vegetable carbon, electrostatic, pocket and synthetic pre-filters, max. .mm.2300x980x750h

**€ 5.308,29**

*VAT excluded*  
**Shipping to be calculated**

**Delivery** from 8 to 15 days

**TCF475-007300**



**Activated carbon deodorization units, with electrostatic, pocket and synthetic pre-filters**  
DEODORIZATION UNIT with 18 CYLINDERS of activated vegetable carbon, electrostatic, pocket and synthetic pre-filters, max flow rate 6000 m3/cubic/h, revs 1250, V.400/3, Kw.3,00, Weight 300 Kg, dim .mm.2400x1280x800h

**€ 6.502,40**

*VAT excluded*  
**Shipping to be calculated**

**Delivery** from 8 to 15 days

**TCF475-007400**



**Activated carbon deodorization units, with electrostatic, pocket and synthetic pre-filters**  
DEODORIZATION UNIT with 23 CYLINDERS of activated vegetable carbon, electrostatic, pocket and synthetic pre-filters, max. .mm.2700x1590x800h

**€ 7.703,69**

*VAT excluded*  
**Shipping to be calculated**

**Delivery** from 8 to 15 days

**TCF475-007500**



**Activated carbon deodorization units, with electrostatic, pocket and synthetic pre-filters**  
DEODORIZATION UNIT with 28 CYLINDERS of vegetable activated carbon, electrostatic, pocket and synthetic pre-filters, max. .mm.2900x1280x980h

**€ 10.745,50**

*VAT excluded*  
**Shipping to be calculated**

**Delivery** from 8 to 15 days

**TCF475-007600**



**Activated carbon deodorization units, with electrostatic, pocket and synthetic pre-filters**  
DEODORIZATION UNIT with 36 CYLINDERS of activated vegetable carbon, electrostatic, pocket and synthetic pre-filters, max. .mm.2900x1280x1280h

**€ 12.784,38**

*VAT excluded*  
**Shipping to be calculated**

**Delivery** from 8 to 15 days

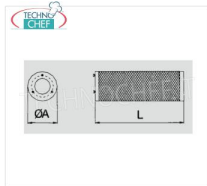
**TECHNICAL CARD**

**CODE/PICTURES**

**DESCRIPTION**

**PRICE/DELIVERY**

**AIF-FCA16**



**Carbon filter**  
Carbon filter, diam.mm.160x400

**€ 62,15**

*VAT excluded*  
**Shipping to be calculated**

**Delivery** from 4 to 9 days

**AIF-SCA25**

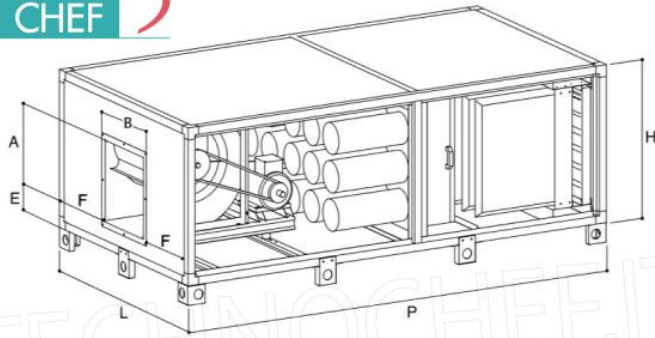


**Coal sack**  
Coal bag of 25 Kg

**€ 108,02**

*VAT excluded*  
**Shipping to be calculated**

**Delivery** from 4 to 9 days



Modello/ Model	N° Cil./ N. Cyl.	kW	m <sup>3</sup> /h	HST H <sub>2</sub> O	rpm	db (A)	L mm	P mm	H mm	A mm	B mm	E mm	F mm	Kg
CCE 130 A	9	1,5	3000	20	1600	70	670	2300	670	300	340	258	165	160
CCE 130 B	9	1,5	3000	30	1750	72	670	2300	670	300	340	258	165	160
CCE 145 A	14	2,2	4500	20	1180	72	980	2300	750	355	324	298	328	210
CCE 145 B	14	2,2	4500	30	1280	74	980	2300	750	355	324	298	328	210
CCE 160 A	18	2,2	6000	20	1100	72	1280	2400	800	414	384	134	448	300
CCE 160 B	18	3	6000	30	1250	74	1280	2400	800	414	384	134	448	300
CCE 175 A*	23	3	7500	20	1080	72	1590	2700	800	414	384	134	603	350
CCE 175 B*	23	3	7500	30	1150	74	1590	2700	800	414	384	134	603	350
CCE 190 A**	28	3	9000	20	850	75	1280	2900	980	492	436	152	422	390
CCE 190 B**	28	4	9000	30	950	76	1280	2900	980	492	436	152	422	390
CCE 1120 A**	36	4	12000	20	900	75	1280	2900	1280	492	570	152	355	450
CCE 1120 B**	36	5,5	12000	30	1000	76	1280	2900	1280	492	570	152	355	450



- Ventilatore a trasmissione  
Belt driven fan 1
- Filtro a carbone attivo  
Activated carbon filter 2
- Filtro elettrostatico  
Electrostatic filter 3
- Filtro a tasche  
Bag filter 4
- Filtro pieghettato  
Pleated filter 5

