



**TECNOSERVICE'21 srl**

by Tinti Sergio  
Via Carlo Pisacane, 134  
61032 Fano (PU) Italy  
P.IVA IT0200411413

Tel. +39 0721 805911  
FAX +39 0721 809794  
e-mail: [staff@technochef.it](mailto:staff@technochef.it)  
[www.technochef.it](http://www.technochef.it)  
[www.technochef.eu](http://www.technochef.eu)

Services and Technologies for professional catering since 1973



#### PROFESSIONAL DESCRIPTION

**SUCTION and DEODORIZATION UNITS with ACTIVATED CARBON and ELECTROSTATIC PRE-FILTER, COMPLETE RANGE in SINGLE-PHASE version, with max flow rate from 3,000 to 6,000 m<sup>3</sup>/cu/h:**

- **air deodorization and filtration units** complete with **centrifugal fan of the direct coupling type, with double suction** ;
- EU3 type 85% gravimetric air pre-filter;
- **cylinders with activated vegetable carbon** in small cylinders type 207/C;
- **aluminum profile frame** ;
- **double paneling in galvanized sheet metal on the inside** and **stainless steel on the outside** ;
- double panel.

#### Accessories/Options:

- spare carbon filter, diam.mm 160x400
- spare coal bag, weight 25 Kg.

**CE mark**  
**Made in Italy**

#### AVAILABLE MODELS

**TCF475-005100**



**Deodorization unit with activated carbon and electrostatic pre-filter, Single-phase V.230/1**  
DEODORIZATION UNIT with 9 CYLINDERS of vegetable activated carbon and electrostatic pre-filter, max flow rate 3000 m<sup>3</sup>/cu/h, rpm 1400, V.230/1, Kw.1,35, Weight 100 Kg, dim.mm.1300x670x750h

**€ 3.269,38**

*VAT excluded*  
*Shipping to be calculated*

**Delivery** from 8 to 15 days

**TCF475-005200**

**Deodorization control unit with activated carbon and electrostatic pre-filter, single-phase V.230/1**  
 DEODORIZATION CONTROL UNIT with 14 CYLINDERS of vegetable activated carbon and electrostatic pre-filter, max flow rate 4500 m<sup>3</sup>/cubic/h, 1400 rpm, V.230/1, Kw.1.7, Weight 115 Kg, dim.mm.1500x980x750h

**€ 4.112,70**

*VAT excluded*  
**Shipping to be calculated**

**Delivery** from 8 to 15 days**TCF475-005300**

**Deodorization control unit with activated carbon and electrostatic pre-filter, single-phase V.230/1**  
 DEODORIZATION CONTROL UNIT with 18 CYLINDERS of vegetable activated carbon and electrostatic pre-filter, max flow rate 6000 m<sup>3</sup>/cubic/h, 1400 rpm, V.230/1, Kw.1.5, Weight 130 Kg, dim.mm.1510x1280x750h

**€ 4.778,15**

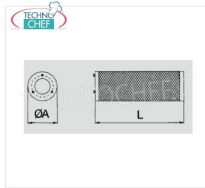
*VAT excluded*  
**Shipping to be calculated**

**Delivery** from 8 to 15 days**TECHNICAL CARD**

CODE/PICTURES

DESCRIPTION

PRICE/DELIVERY

**AIF-FCA16**

**Carbon filter**  
 Carbon filter, diam.mm.160x400

**€ 62,15**

*VAT excluded*  
**Shipping to be calculated**

**Delivery** from 4 to 9 days**AIF-RCS210**

**Manual Speed Regulator Single Phase 1.5kw**  
 Manual speed regulator for single-phase electric motors with capacitor, V. 230/1, 50 Hz, Max 7.5 Amp. - Kw. 1.5, size 17x8.3x10.6h cm

**€ 123,60**

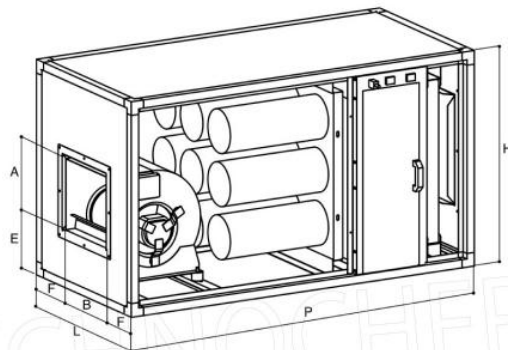
*VAT excluded*  
**Shipping to be calculated**

**Delivery** from 4 to 9 days**AIF-SCA25**

**Coal sack**  
 Coal bag of 25 Kg

**€ 108,02**

*VAT excluded*  
**Shipping to be calculated**

**Delivery** from 4 to 9 days

Modello/ Model	N° Cil./ N. Cyl.	m <sup>3</sup> /h	HST H <sub>2</sub> O	db (A)	Rating kW	Rating absorbed kW	rpm	L mm	P mm	H mm	A mm	B mm	E mm	F mm	Kg
ECE 30	9	3000	15	41	0,42	1,35	1400	670	1300	750	275	310	205	180	100
ECE 45	14	4500	12	45	0,73	1,7	1400	980	1500	750	355	324	220	328	115
ECE 60	18	6000	12	46	1,1	2,5	900	1280	1500	750	355	410	220	435	130