



TECNOSERVICE'21 srl

by Tinti Sergio
Via Carlo Pisacane, 134
61032 Fano (PU) Italy
P.IVA IT0200411413

Tel. +39 0721 805911
FAX +39 0721 809794
e-mail: staff@technochef.it
www.technochef.it
www.technochef.eu

Services and Technologies for professional catering since 1973



PROFESSIONAL DESCRIPTION

SUCTION and DEODORIZATION CONTROL UNITS with ACTIVATED CARBON and SYNTHETIC PRE-FILTERS, COMPLETE RANGE in SINGLE-PHASE version, with max flow rate from 1,500 to 4,000 m/cubic/h:

- **air deodorization and filtration control units** complete with **direct-coupled centrifugal fan, double suction** with external rotor;
- **EU3 85% gravimetric air pre-filter with vegetable activated carbon** in 207/C type cylinders;
- **aluminum profile frame** ;
- **double paneling in galvanized sheet metal inside** and **stainless steel outside** .

Accessories/Options:

- replacement carbon filter, diam.mm 160x400
- spare charcoal bag, weight 25 kg.

CE mark

Made in Italy

AVAILABLE MODELS

TCF475-002100



Deodorization control unit with activated carbon and 2 synthetic pre-filters, Single Phase V.230/1
DEODORIZATION CONTROL UNIT with 5 CYLINDERS of vegetable activated carbon and 2 synthetic pre-filters, max flow rate 1500 m/cubic/h, 1400 rpm, V.230/1, Kw.0.53, Weight 100 Kg, dim.mm.960x670x440h

€ 1.152,74

VAT excluded
Shipping to be calculated

Delivery from 8 to 15 days

TCF475-002200



Deodorization control unit with activated carbon and 2 synthetic pre-filters, Single Phase V.230/1
DEODORIZATION CONTROL UNIT with 9 CYLINDERS of vegetable activated carbon and 2 synthetic pre-filters, max flow rate 3000 m/cubic/h, 1400 rpm, V.230/1, Kw.0.55, Weight 115 Kg, dim.mm.1200x670x750h

€ 1.578,67

VAT excluded
Shipping to be calculated

Delivery from 8 to 15 days

TCF475-002300



Deodorization control unit with activated carbon and 2 synthetic pre-filters, Single Phase V.230/1
 DEODORIZATION CONTROL UNIT with 14 CYLINDERS of vegetable activated carbon and 2 synthetic pre-filters, max flow rate 4000 m³/h, 900 rpm, V.230/1, Kw.0.6, Weight 130 Kg, dim.mm.1280x980x750h

€ 2.251,58

VAT excluded
 Shipping to be calculated

Delivery from 8 to 15 days

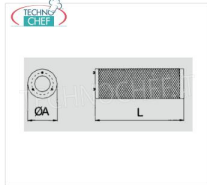
TECHNICAL CARD

CODE/PICTURES

DESCRIPTION

PRICE/DELIVERY

AIF-FCA16



Carbon filter
 Carbon filter, diam.mm.160x400

€ 62,15

VAT excluded
 Shipping to be calculated

Delivery from 4 to 9 days

AIF-SCA25

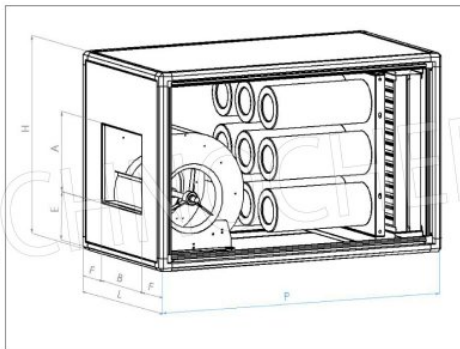


Coal sack
 Coal bag of 25 Kg

€ 108,02

VAT excluded
 Shipping to be calculated

Delivery from 4 to 9 days



Modello / Model	N° Cil. / N. Cyl.	m ³ /h	HST H ₂ O	dB (A)	kW	rpm	L mm	P mm	H mm	A mm	B mm	E mm	F mm	Kg	Regolatore
MECL5	5	1500	10	32	0,53	1400	670	960	440	260	300	90	190	100	MREM10A
MECL9	9	3000	10	41	0,55	1400	670	1200	750	300	340	180	165	115	MRC250
MECL14	14	4000	20	48	0,60	900	980	1280	750	300	340	236	290	130	MRC250