



PROFESSIONAL DESCRIPTION

FILTERING and DEODORIZATION UNITS with ACTIVATED CARBON, COMPLETE RANGE of 5 and 9 cylinders:

- **filtration and deodorization group** made of **AISI 304 stainless steel** , with **perforated paneling** for **filtered and deodorized area to escape** ;
- n.1 AB85 type **glass microfibre prefilter** technical characteristics EU7 class specific European standards ASHRAE52-76-ATM ATM efficiency 87.5% **self-extinguishing** according to DIN 53438 class F1 with self-extinguishing classification 4/5 EU3 for maximum air passage temperature +100 °C;
- **n.5 activated carbon cylinders** , diam.mm.160x400 (Mod.AIF-ECO5);
- **n.9 activated carbon cylinders** , diam.mm.160x400 (Mod.AIF-ECO9).

Accessories/Options :

- replacement synthetic filters made of AB85 type glass microfibers technical characteristics EU7 class specific European standards ASHRAE52-76-ATM ATM efficiency 87.5% self-extinguishing according to DIN 53438 class F1 with self-extinguishing classification 4/5 EU3 for maximum air passage temperature +100°C
- spare carbon filter, diam.mm 160x400
- spare coal bag, weight 25 Kg.

CE mark

Made in Italy

AVAILABLE MODELS

TCF475-001100



Filtering and Deodorization group with activated carbon

Filtering and Deodorization Group composed of 1 pre-filter in self-extinguishing glass microfibers and 5 activated carbon cylinders, max flow rate 1500, weight 50 Kg, dim.mm.700x400x700h

€ 838,70

VAT excluded
Shipping to be calculated

Delivery from 8 to 15 days

TCF475-001200



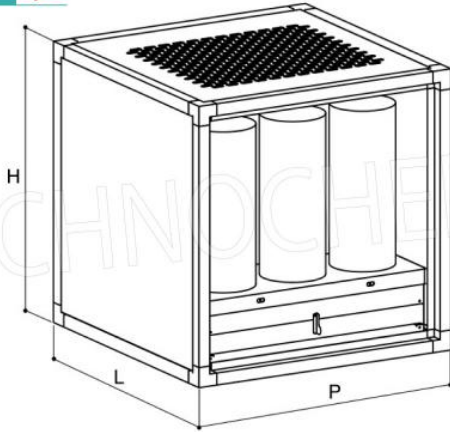
Filtering and Deodorization group with activated carbon

Filtering and Deodorization Group composed of n.1 pre-filter in self-extinguishing glass microfibers and n.9 activated carbon cylinders, max flow rate 3000, Weight 78 Kg, dim.mm.700x700x700h

€ 1.040,94

VAT excluded
Shipping to be calculated

Delivery from 8 to 15 days



Mod.	N°Cil./ N. Cyl.	m ³ /h	HST	P mm	L mm	H mm	Peso/ Weight Kg
ECO 5	5	1500	10	700	400	700	50
ECO 9	9	3000	10	700	700	700	78