



PROFESSIONAL DESCRIPTION

BOXED CENTRIFUGAL VACUUM CLEANERS with STAINLESS STEEL PANELS, TRANSMISSION version with BELTS and PULLEYS, 2 SPEEDS, COMPLETE RANGE with max flow rate from 2.000/1338 to 15.000/10034 m/cubic/hour:

- **double intake centrifugal boxed fan with motor directly coupled to the impeller** (forward blades), **by means of pulleys and belts** ;
- centrifugal fan built with sturdy hot-dip galvanized steel and mounted on rubber cushioned feet;
- **2 speeds** ;
- **aluminum profile frame** ;
- **self-extinguishing sandwich paneling in galvanized steel on the inside and stainless steel on the outside** ;
- double panel.

CE mark
Made in Italy

AVAILABLE MODELS

TCF475-000310



2-speed boxed centrifugal aspirators, max flow rate 2000/1317 m³/h, V.380/3
BOXED ASPIRATOR with TRANSMISSION CENTRIFUGAL FAN with BELTS and PULLEYS, STAINLESS STEEL panels, 2 SPEEDS, max flow rate 2.000/1317 m/cubic/hour, revolutions 1440/948, db 65/52, V.380/3, Kw.0, 55/0.18, weight 40 kg, dim.mm.800x600x600h

€ 1.054,22

VAT excluded
Shipping to be calculated

Delivery from 8 to 15 days

TCF475-000320



2-speed boxed centrifugal aspirators, max flow rate 2500/1673 m³/h, V.380/3
BOXED ASPIRATOR with TRANSMISSION CENTRIFUGAL FAN with BELTS and PULLEYS, INOX panels, 2 SPEEDS, max flow rate 2500/1673 m/cubic/hour, revolutions 1450/970, db 67/52, V.380/3, Kw.0, 81/0,28, Weight 41 Kg, dim.mm.800x600x600h

€ 1.096,16

VAT excluded
Shipping to be calculated

Delivery from 8 to 15 days

TCF475-000330



2-speed boxed centrifugal aspirators, max flow rate 3000/2007 m³/h, V.380/3
BOXED ASPIRATOR with TRANSMISSION CENTRIFUGAL FAN with BELTS and PULLEYS, INOX panels, 2 SPEEDS, max flow rate 3000/2007 m³/cubic/hour, revolutions 1500/1004, db 68/58, V.380/3, Kw.0, 81/0,28, Weight 41 Kg, dim.mm.800x600x600h

€ 1.096,56
VAT excluded
Shipping to be calculated

Delivery from 8 to 15 days

TCF475-000340



2-speed boxed centrifugal aspirators, max flow rate 3500/2325 m³/h, V.380/3
BOXED ASPIRATOR with TRANSMISSION CENTRIFUGAL FAN with BELTS and PULLEYS, INOX panels, 2 SPEEDS, max flow rate 3500/2325 m³/cubic/hour, revolutions 1700/1129, db 69/59, V.380/3, Kw.1, 7/0.6, weight 59 kg, dim.mm.800x620x620h

€ 1.168,94
VAT excluded
Shipping to be calculated

Delivery from 8 to 15 days

TCF475-000350



2-speed boxed centrifugal aspirators, max flow rate 4000/2657 m³/h, V.380/3
BOXED ASPIRATOR with TRANSMISSION CENTRIFUGAL FAN with BELTS and PULLEYS, INOX panels, 2 SPEEDS, max flow rate 4000/2657 m³/cubic/hour, revolutions 1600/1063, db 72/62, V.380/3, Kw.1, 7/0.6, weight 59 kg, dim.mm.800x620x620h

€ 1.168,94
VAT excluded
Shipping to be calculated

Delivery from 8 to 15 days

TCF475-000360



2-speed boxed centrifugal aspirators, max flow rate 3500/2342 m³/h, V.380/3
BOXED ASPIRATOR with TRANSMISSION CENTRIFUGAL FAN with BELTS and PULLEYS, INOX panels, 2 SPEEDS, max flow rate 3500/2342 m³/cubic/hour, revolutions 1260/843, db 67/58, V.380/3, Kw.1, 1/0,37, Weight 48 Kg, dim.mm.800x620x620h

€ 1.144,29
VAT excluded
Shipping to be calculated

Delivery from 8 to 15 days

TCF475-000370



2-speed boxed centrifugal aspirators, max flow rate 4000/2676 m³/h, V.380/3
BOXED ASPIRATOR with TRANSMISSION CENTRIFUGAL FAN with BELTS and PULLEYS, STAINLESS STEEL panels, 2 SPEEDS, max flow rate 4000/2676 m³/cubic/hour, revolutions 1240/830, db 68/58, V.380/3, Kw.1, 1/0,37, Weight 48 Kg, dim.mm.800x620x620h

€ 1.171,29
VAT excluded
Shipping to be calculated

Delivery from 8 to 15 days

TCF475-000380



2-speed boxed centrifugal aspirators, max flow rate 4500/2990 m³/h, V.380/3
BOXED ASPIRATOR with TRANSMISSION CENTRIFUGAL FAN with BELTS and PULLEYS, INOX panels, 2 SPEEDS, max flow rate 4500/2990 m³/cubic/hour, revolutions 1290/857, db 70/59, V.380/3, Kw.1, 7/0.6, weight 60 kg, dim.mm.800x620x620h

€ 1.222,18
VAT excluded
Shipping to be calculated

Delivery from 8 to 15 days

TCF475-000410



2-speed boxed centrifugal aspirators, max flow rate 5000/3322 m³/h, V.380/3
BOXED ASPIRATOR with TRANSMISSION CENTRIFUGAL FAN with BELTS and PULLEYS, INOX panels, 2 SPEEDS, max flow rate 5000/3322 m³/cubic/hour, revolutions 1040/691, db 66/55, V.380/3, Kw.1, 7/0,6, Weight 86 Kg, dim.mm.900x750x750h

€ 1.316,76
VAT excluded
Shipping to be calculated

Delivery from 8 to 15 days

TCF475-000400



2-speed boxed centrifugal aspirators, max flow rate 6000/3986 m³/h, V.230/1
BOXED ASPIRATOR with TRANSMISSION CENTRIFUGAL FAN with BELTS and PULLEYS, INOX panels, 2 SPEEDS, max flow rate 6000/3986 m³/cubic/hour, revolutions 1150/764, db 70/62, V.230/1, Kw.2, 2/0.75, weight 86 kg, dim.mm.900x750x750h

€ 1.429,71
VAT excluded
Shipping to be calculated

Delivery from 8 to 15 days

TCF475-000420



2-speed boxed centrifugal aspirators, max flow rate 6000/3986 m³/h, V.380/3

BOXED ASPIRATOR with TRANSMISSION CENTRIFUGAL FAN with BELTS and PULLEYS, INOX panels, 2 SPEEDS, max flow rate 6000/3986 m³/cubic/hour, revolutions 1000/664, db 68/58, V.380/3, Kw.1, 7/0,6, Weight 86 Kg, dim.mm.900x750x750h

€ 1.326,13

VAT excluded
Shipping to be calculated

Delivery from 8 to 15 days

TCF475-000390



2-speed boxed centrifugal aspirators, max flow rate 5000/3322 m³/h, V.230/1

BOXED ASPIRATOR with TRANSMISSION CENTRIFUGAL FAN with BELTS and PULLEYS, INOX panels, 2 SPEEDS, max flow rate 5000/3322 m³/cubic/hour, revolutions 1200/797, db 68/62, V.230/1, Kw.1, 7/0,6, Weight 85 Kg, dim.mm.900x750x750h

€ 1.414,32

VAT excluded
Shipping to be calculated

Delivery from 8 to 15 days

TCF475-000430



2-speed boxed centrifugal aspirators, max flow rate 7000/4650 m³/h, V.380/3

BOXED ASPIRATOR with TRANSMISSION CENTRIFUGAL FAN with BELTS and PULLEYS, STAINLESS STEEL panels, 2 SPEEDS, max flow rate 7000/4650 m³/cubic/hour, revolutions 1050/698, db 69/59, V.380/3, Kw.2, 2/0.75, weight 87 kg, dim.mm.900x750x750h

€ 1.546,08

VAT excluded
Shipping to be calculated

Delivery from 8 to 15 days

TCF475-000440



2-speed boxed centrifugal aspirators, max flow rate 7000/4650 m³/h, V.380/3

BOXED ASPIRATOR with TRANSMISSION CENTRIFUGAL FAN with BELTS and PULLEYS, INOX panels, 2 SPEEDS, max flow rate 7000/4650 m³/cubic/hour, revolutions 1000/664, db 72/59, V.380/3, Kw.2, 2/0,75, Weight 112 Kg, dim.mm.1000x900x900h

€ 1.655,31

VAT excluded
Shipping to be calculated

Delivery from 8 to 15 days

TCF475-000480



2-speed boxed centrifugal aspirators, max flow rate 8000/5315 m³/h, V.380/3

BOXED ASPIRATOR with TRANSMISSION CENTRIFUGAL FAN with BELTS and PULLEYS, INOX panels, 2 SPEEDS, max flow rate 8000/5315 m³/cubic/hour, revolutions 830/551, db 68/55, V.380/3, Kw.2, 2/0.75, weight 113 kg, dim.mm.1000x900x900h

€ 1.665,34

VAT excluded
Shipping to be calculated

Delivery from 8 to 15 days

TCF475-000490



2-speed boxed centrifugal aspirators, max flow rate 9000/5979 m³/h, V.380/3

BOXED ASPIRATOR with TRANSMISSION CENTRIFUGAL FAN with BELTS and PULLEYS, INOX panels, 2 SPEEDS, max flow rate 9000/5979 m³/cubic/hour, revolutions 810/538, db 69/59, V.380/3, Kw.2, 2/0.75, weight 113 kg, dim.mm.1000x900x900h

€ 1.666,31

VAT excluded
Shipping to be calculated

Delivery from 8 to 15 days

TCF475-000450



2-speed boxed centrifugal aspirators, max flow rate 7000/4715 m³/h, V.380/3

BOXED ASPIRATOR with TRANSMISSION CENTRIFUGAL FAN with BELTS and PULLEYS, INOX panels, 2 SPEEDS, max flow rate 7000/4715 m³/cubic/hour, revolutions 1140/768, db 74/62, V.380/3, Kw.3, 0/0,9, Weight 113 Kg, dim.mm.1000x900x900h

€ 1.743,90

VAT excluded
Shipping to be calculated

Delivery from 8 to 15 days

TCF475-000470



2-speed boxed centrifugal aspirators, max flow rate 8000/5389 m³/h, V.380/3

BOXED ASPIRATOR with TRANSMISSION CENTRIFUGAL FAN with BELTS and PULLEYS, INOX panels, 2 SPEEDS, max flow rate 8000/5389 m³/cubic/hour, revolutions 1100/741, db 75/62, V.380/3, Kw.3, 0/0,9, Weight 113 Kg, dim.mm.1000x900x900h

€ 1.738,61

VAT excluded
Shipping to be calculated

Delivery from 8 to 15 days

TCF475-000460



2-speed boxed centrifugal aspirators, max flow rate 8000/5389 m³/h, V.380/3

BOXED ASPIRATOR with TRANSMISSION CENTRIFUGAL FAN with BELTS and PULLEYS, INOX panels, 2 SPEEDS, max flow rate 8000/5389 m³/cubic/hour, revolutions 1000/674, db 73/61, V.380/3, Kw.3, 0/0,9, Weight 113 Kg, dim.mm.1000x900x900h

€ 1.749,44

VAT excluded
Shipping to be calculated

Delivery from 8 to 15 days

TCF475-000500



2-speed boxed centrifugal aspirators, max flow rate 10000/6736 m³/h, V.380/3

BOXED ASPIRATOR with TRANSMISSION CENTRIFUGAL FAN with BELTS and PULLEYS, INOX panels, 2 SPEEDS, max flow rate 10000/6736 m³/cubic/hour, revolutions 800/539, db 69/59, V.380/3, Kw.3, 0/0,9, Weight 114 Kg, dim.mm.1000x900x900h

€ 1.751,48

VAT excluded
Shipping to be calculated

Delivery from 8 to 15 days

TCF475-000550



2-speed boxed centrifugal aspirators, max flow rate 11000/7410 m³/h, V.380/3

BOXED ASPIRATOR with TRANSMISSION CENTRIFUGAL FAN with BELTS and PULLEYS, STAINLESS STEEL panels, 2 SPEEDS, max flow rate 11000/7410 m³/cubic/hour, revolutions 770/519, db 69/59, V.380/3, Kw.3, 0/0,9, Weight 117 Kg, dim.mm.1200x1000x1000h

€ 2.012,14

VAT excluded
Shipping to be calculated

Delivery from 8 to 15 days

TCF475-000510



2-speed boxed centrifugal aspirators, max flow rate 10000/6736 m³/h, V.380/3

BOXED ASPIRATOR with TRANSMISSION CENTRIFUGAL FAN with BELTS and PULLEYS, STAINLESS STEEL panels, 2 SPEEDS, max flow rate 10000/6736 m³/cubic/hour, revolutions 800/539, db 74/62, V.380/3, Kw.3, 0/0,9, Weight 116 Kg, dim.mm.1200x1000x1000h

€ 1.954,87

VAT excluded
Shipping to be calculated

Delivery from 8 to 15 days

TCF475-000540



2-speed boxed centrifugal aspirators, max flow rate 12000/8028 m³/h, V.380/3

BOXED ASPIRATOR with TRANSMISSION CENTRIFUGAL FAN with BELTS and PULLEYS, INOX panels, 2 SPEEDS, max flow rate 12000/8028 m³/cubic/hour, revolutions 870/582, db 78/66, V.380/3, Kw.4, 2/1,4, Weight 117 Kg, dim.mm.1200x1000x1000h

€ 2.221,81

VAT excluded
Shipping to be calculated

Delivery from 8 to 15 days

TCF475-000530



2-speed boxed centrifugal aspirators, max flow rate 12000/8028 m³/h, V.380/3

BOXED ASPIRATOR with TRANSMISSION CENTRIFUGAL FAN with BELTS and PULLEYS, INOX panels, 2 SPEEDS, max flow rate 12000/8028 m³/cubic/hour, revolutions 780/522, db 76/64, V.380/3, Kw.4, 2/1,4, Weight 117 Kg, dim.mm.1200x1000x1000h

€ 2.192,30

VAT excluded
Shipping to be calculated

Delivery from 8 to 15 days

TCF475-000560



2-speed boxed centrifugal aspirators, max flow rate 13000/8757 m³/h, V.380/3

BOXED ASPIRATOR with TRANSMISSION CENTRIFUGAL FAN with BELTS and PULLEYS, INOX panels, 2 SPEEDS, max flow rate 13000/8757 m³/cubi/hour, revolutions 730/492, db 70/61, V.380/3, Kw.3, 0/0,9, Weight 117 Kg, dim.mm.1200x1000x1000h

€ 2.209,51

VAT excluded
Shipping to be calculated

Delivery from 8 to 15 days

TCF475-000570



2-speed boxed centrifugal aspirators, max flow rate 15000/10034 m³/h, V.380/3

BOXED ASPIRATOR with TRANSMISSION CENTRIFUGAL FAN with BELTS and PULLEYS, INOX panels, 2 SPEEDS, max flow rate 15000/10034 m³/cubic/hour, revolutions 700/468, db 73/64, V.380/3, Kw.4, 2/1,4, Weight 118 Kg, dim.mm.1200x1000x1000h

€ 2.187,01

VAT excluded
Shipping to be calculated

Delivery from 8 to 15 days

TCF475-000520



2-speed boxed centrifugal aspirators, max flow rate 10000/6690 m³/h, V.380/3
BOXED ASPIRATOR with TRANSMISSION CENTRIFUGAL FAN with BELTS and PULLEYS, STAINLESS STEEL panels,
2 SPEEDS, max flow rate 10000/6690 m³/cubic/hour, revolutions 900/602, db 77/64, V.380/3, Kw.4, 2/1,4, Weight 117 Kg, dim.mm.1200x1000x1000h

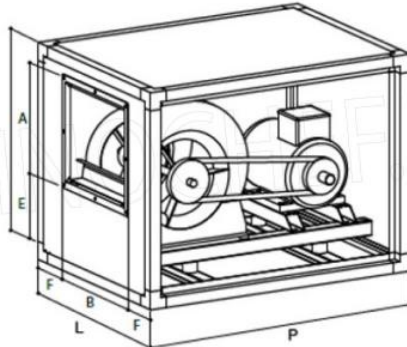
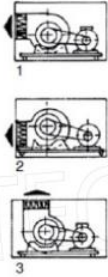
€ 2.186,42

VAT excluded
 Shipping to be calculated

Delivery from 8 to 15 days



Serie ECTD
 posizione 1
 standard



Pannello ispezione
 lato motore ID (standard)



Modello / Model	m³/h m³/min	HST H ₅₀ m/m	db	rpm rps/min	kW hp/min	L mm	P mm	H mm	A mm	B mm	E mm	F mm	Kg
ECTD 9/9 A1	2000/1338	30/14	62/49	1300/870	0.370,12	600	800	600	275	310	248	145	39
ECTD 9/9 A2	2000/1317	40/18	65/52	1440/948	0.550,18	600	800	600	275	310	248	145	40
ECTD 9/9 B1	2500/1646	30/15	62/51	1260/830	0.550,18	600	800	600	275	310	248	145	40
ECTD 9/9 B2	2500/1873	40/17	67/52	1450/970	0.810,28	600	800	600	275	310	248	145	41
ECTD 9/9 C1	3000/1975	30/15	63/54	1250/823	0.550,18	600	800	600	275	310	248	145	40
ECTD 9/9 C2	3000/2907	40/21	68/58	1500/1004	0.810,28	600	800	600	275	310	248	145	41
ECTD 10/8 A1	3500/2325	50/23	69/59	1430/950	1,70,6	620	800	620	300	276	258	172	59
ECTD 10/8 A2	3500/2325	60/30	69/59	1700/1129	1,70,6	620	800	620	300	276	258	172	59
ECTD 10/8 B1	4000/2657	50/24	72/62	1450/963	1,70,6	620	800	620	300	276	258	172	59
ECTD 10/8 B2	4000/2657	60/31	72/62	1600/1063	1,70,6	620	800	620	300	276	258	172	59
ECTD 10/10 A1	3500/2342	30/16	63/53	1060/709	0.810,28	620	800	620	300	340	258	140	47
ECTD 10/10 A2	3500/2342	40/20	67/58	1260/843	1,10,37	620	800	620	300	340	258	140	48
ECTD 10/10 B1	4000/2676	30/15	65/55	1080/723	1,10,37	620	800	620	300	340	258	140	48
ECTD 10/10 B2	4000/2676	40/19	68/58	1240/830	1,10,37	620	800	620	300	340	258	140	48
ECTD 10/10 C1	4500/3011	30/15	68/57	1090/729	1,10,37	620	800	620	300	340	258	140	48
ECTD 10/10 C2	4500/2990	40/20	70/59	1290/857	1,70,6	620	800	620	300	340	258	140	60
ECTD 12/9 A1	5000/3322	50/28	68/62	1200/787	1,70,6	750	900	750	355	320	296	215	85
ECTD 12/9 A2	5000/3322	60/30	68/62	1200/787	1,70,6	750	900	750	355	320	296	215	85
ECTD 12/9 B1	6000/3986	50/26	70/62	1150/764	2,20,75	750	900	750	355	320	296	215	86
ECTD 12/9 B2	6000/3986	60/28	70/62	1150/764	2,20,75	750	900	750	355	320	296	215	86
ECTD 12/12 A1	5000/3345	30/15	62/53	850/569	1,10,37	750	900	750	355	410	296	170	84
ECTD 12/12 A2	5000/3322	40/18	66/55	1040/691	1,70,6	750	900	750	355	410	296	170	86
ECTD 12/12 B1	6000/4014	30/16	65/56	830/555	1,10,37	750	900	750	355	410	296	170	84
ECTD 12/12 B2	6000/3986	40/19	68/58	1000/664	1,70,6	750	900	750	355	410	296	170	86
ECTD 12/12 C1	7000/4683	30/14	67/58	820/549	1,10,37	750	900	750	355	410	296	170	84
ECTD 12/12 C2	7000/4650	40/21	69/59	1050/698	2,20,75	750	900	750	355	410	296	170	87
ECTD 15/11 A1	7000/4650	50/27	72/59	1000/664	2,20,75	900	1000	900	414	384	349	258	112
ECTD 15/11 A2	7000/4715	60/32	74/62	1140/768	3,0,9	900	1000	900	414	384	349	258	113
ECTD 15/11 B1	8000/5389	50/27	73/61	1000/674	3,0,9	900	1000	900	414	384	349	258	113
ECTD 15/11 B2	8000/5389	60/32	75/62	1100/741	3,0,9	900	1000	900	414	384	349	258	113
ECTD 15/15 A1	8000/5315	30/15	63/53	700/465	1,50,6	900	1000	900	414	484	349	208	111
ECTD 15/15 A2	8000/5315	40/18	68/55	830/551	2,20,75	900	1000	900	414	484	349	208	113
ECTD 15/15 B1	9000/5979	30/16	66/56	720/478	1,70,6	900	1000	900	414	484	349	208	111
ECTD 15/15 B2	9000/5979	40/19	69/59	810/538	2,20,75	900	1000	900	414	484	349	208	113
ECTD 15/15 C1	10000/6643	30/17	68/58	700/465	2,20,75	900	1000	900	414	484	349	208	113
ECTD 15/15 C2	10000/6736	40/20	69/59	800/539	3,0,9	900	1000	900	414	484	349	208	114
ECTD 18/13 A1	10000/6736	50/25	74/62	800/539	3,0,9	1000	1200	1000	492	438	423	281	116
ECTD 18/13 A2	10000/6660	60/31	77/64	900/602	4,21,4	1000	1200	1000	492	438	423	281	117
ECTD 18/13 B1	12000/8028	50/24	76/64	780/522	4,21,4	1000	1200	1000	492	438	423	281	117
ECTD 18/13 B2	12000/8028	60/30	78/66	870/582	4,21,4	1000	1200	1000	492	438	423	281	117
ECTD 18/18 A1	11000/7369	30/15	67/56	640/425	2,20,75	1000	1200	1000	492	570	423	215	111
ECTD 18/18 A2	11000/7410	40/20	69/59	770/519	3,0,9	1000	1200	1000	492	570	423	215	117
ECTD 18/18 B1	13000/8636	30/16	68/58	620/412	2,20,75	1000	1200	1000	492	570	423	215	116
ECTD 18/18 B2	13000/8757	40/21	70/61	730/492	3,0,9	1000	1200	1000	492	570	423	215	117
ECTD 18/18 C1	15000/10104	30/17	72/62	630/404	3,0,9	1000	1200	1000	492	570	423	215	117
ECTD 18/18 C2	15000/10034	40/22	73/64	700/468	4,21,4	1000	1200	1000	492	570	423	215	118