



PROFESSIONAL DESCRIPTION

BOXED CENTRIFUGAL FAN WITH STAINLESS STEEL PANELS and CENTRIFUGAL FAN with DIRECTLY COUPLED MOTOR, COMPLETE RANGE with max flow rate from 800 to 10,000 m³/cubic/hour:

- **double inlet boxed centrifugal fan with motor directly coupled to the impeller** (forward blades);
- centrifugal fan built with sturdy hot-dip galvanized sheets and mounted on cushioned rubber feet;
- **1 speed** ;
- **aluminum profile frame** ;
- **sandwich paneling in galvanized sheet metal inside and stainless steel outside** ;
- double panel.

Accessories/Options :

- Speed regulator

CE mark
Made in Italy

AVAILABLE MODELS

TCF475-000120



Boxed centrifugal aspirator, stainless steel panels, max flow rate 1,000 m³/h, V.230/1
BOXED FAN WITH CENTRIFUGAL FAN with MOTOR DIRECTLY COUPLED to the IMPELLER, STAINLESS STEEL panels, max flow rate 1,000 m³/cubic/hour, 1380 rpm, 1 speed, db 47, V.230/1, Kw. 0.147, weight 24 kg, dim.mm.500x500x500h

€ 605,60

VAT excluded
Shipping to be calculated

Delivery from 8 to 15 days

TCF475-000110



Boxed centrifugal aspirator, stainless steel panels, max flow rate 800 m³/h, V.230/1
BOXED FAN WITH CENTRIFUGAL FAN with MOTOR DIRECTLY COUPLED to the IMPELLER, STAINLESS STEEL panels, max flow rate 800 m³/cubic/hour, 970 rpm, 1 speed, db 41, V.230/1, Kw. 0.087, weight 24 kg, dim.mm.500x500x500h

€ 634,67

VAT excluded
Shipping to be calculated

Delivery from 8 to 15 days

TCF475-000140



Boxed centrifugal aspirator, stainless steel panels, max flow rate 1,800 m³/h, V.230/1
BOXED FAN WITH CENTRIFUGAL FAN with MOTOR DIRECTLY COUPLED to the IMPELLER, STAINLESS STEEL panels, max flow rate 1,800 m³/cubic/hour, 1400 rpm, 1 speed, db 52, V.230/1, Kw.0.42, Weight 28 Kg, dim .mm.500x500x500h

€ 682,59

VAT excluded
Shipping to be calculated

Delivery from 8 to 15 days

TCF475-000130



Boxed centrifugal aspirator, stainless steel panels, max flow rate 1,500 m³/h, V.230/1
BOXED FAN WITH CENTRIFUGAL FAN with MOTOR DIRECTLY COUPLED to the IMPELLER, STAINLESS STEEL panels, max flow rate 1,500 m³/cubic/hour, 970 rpm, 1 speed, db 45, V.230/1, Kw. 0.250, weight 28 Kg, dim.mm.500x500x500h

€ 689,82

VAT excluded
Shipping to be calculated

Delivery from 8 to 15 days

TCF475-000180



Boxed centrifugal aspirator, stainless steel panels, max flow rate 2,800 m³/h, V.230/1
BOXED FAN WITH CENTRIFUGAL FAN with MOTOR DIRECTLY COUPLED to the IMPELLER, STAINLESS STEEL panels, max flow rate 2,800 m³/cubic/hour, 1260 rpm, 1 speed, db 49, V.230/1, Kw.0.56, Weight 35 Kg, dim .mm.600x600x600h

€ 707,33

VAT excluded
Shipping to be calculated

Delivery from 8 to 15 days

TCF475-000160



Boxed centrifugal aspirator, stainless steel panels, max flow rate 2,500 m³/h, V.230/1
BOXED FAN WITH CENTRIFUGAL FAN with MOTOR DIRECTLY COUPLED to the IMPELLER, STAINLESS STEEL panels, max flow rate 2,500 m³/cubic/hour, 1300 rpm, 1 speed, db 53, V.230/1, Kw.0.42, Weight 33 Kg, dim .mm.600x600x600h

€ 716,75

VAT excluded
Shipping to be calculated

Delivery from 8 to 15 days

TCF475-000190



Boxed centrifugal aspirator, stainless steel panels, max flow rate 3,000 m³/h, V.230/1
BOXED FAN WITH CENTRIFUGAL FAN with MOTOR DIRECTLY COUPLED to the IMPELLER, STAINLESS STEEL panels, max flow rate 3,000 m³/cubic/hour, 880 rpm, 1 speed, db 48, V.230/1, Kw. 0.373, weight 36 kg, dim.mm.600x600x600h

€ 731,47

VAT excluded
Shipping to be calculated

Delivery from 8 to 15 days

TCF475-000150



Boxed centrifugal aspirator, stainless steel panels, max flow rate 2,000 m³/h, V.230/1
BOXED FAN WITH CENTRIFUGAL FAN with MOTOR DIRECTLY COUPLED to the IMPELLER, STAINLESS STEEL panels, max flow rate 2,000 m³/cubic/hour, 940 rpm, 1 speed, db 48, V.230/1, Kw. 0.25, weight 33 kg, dim.mm.600x600x600h

€ 732,77

VAT excluded
Shipping to be calculated

Delivery from 8 to 15 days

TCF475-000200



Boxed centrifugal aspirator, stainless steel panels, max flow rate 2,900 m³/h, V.230/1
BOXED FAN WITH CENTRIFUGAL FAN with MOTOR DIRECTLY COUPLED to the IMPELLER, STAINLESS STEEL panels, max flow rate 2,900 m³/cubic/hour, 1200 rpm, 1 speed, db 53, V.230/1, Kw.0.55, Weight 36 Kg, dim .mm.600x600x600h

€ 740,21

VAT excluded
Shipping to be calculated

Delivery from 8 to 15 days

TCF475-000170



Boxed centrifugal aspirator, stainless steel panels, max flow rate 2,300 m³/h, V.230/1
BOXED FAN WITH CENTRIFUGAL FAN with MOTOR DIRECTLY COUPLED to the IMPELLER, STAINLESS STEEL panels, max flow rate 2,300 m³/cubic/hour, 880 rpm, 1 speed, db 48, V.230/1, Kw. 0.25, weight 35 kg, dim.mm.600x600x600h

€ 764,18

VAT excluded
Shipping to be calculated

Delivery from 8 to 15 days

TCF475-000210



Boxed centrifugal aspirator, stainless steel panels, max flow rate 4,000 m³/h, V.230/1
BOXED FAN WITH CENTRIFUGAL FAN with MOTOR DIRECTLY COUPLED to the IMPELLER, STAINLESS STEEL panels, max flow rate 4,000 m³/cubic/hour, 940 rpm, 1 speed, db 52, V.230/1, Kw.0,57, Weight 67 Kg, dim .mm.750x750x750h

€ 906,19

VAT excluded
Shipping to be calculated

Delivery from 8 to 15 days

TCF475-000220



Boxed centrifugal aspirator, stainless steel panels, max flow rate 4,600 m³/h, V.230/1
BOXED FAN WITH CENTRIFUGAL FAN with MOTOR DIRECTLY COUPLED to the IMPELLER, STAINLESS STEEL panels, max flow rate 4,600 m³/cubic/hour, 940 rpm, 1 speed, db 52, V.230/1, Kw.0,736, Weight 75 Kg, dim .mm.750x750x750h

€ 923,68

VAT excluded
Shipping to be calculated

Delivery from 8 to 15 days

TCF475-000230



Boxed centrifugal aspirator, stainless steel panels, max flow rate 6,000 m³/h, V.400/3
BOXED FAN WITH CENTRIFUGAL FAN with MOTOR DIRECTLY COUPLED to the IMPELLER, STAINLESS STEEL panels, max flow rate 6,000 m³/cubic/hour, 890 rpm, 1 speed, db 53, V.400/3, Kw.1,1, Weight 82 Kg, dim .mm.750x750x750h

€ 936,81

VAT excluded
Shipping to be calculated

Delivery from 8 to 15 days

TCF475-000240

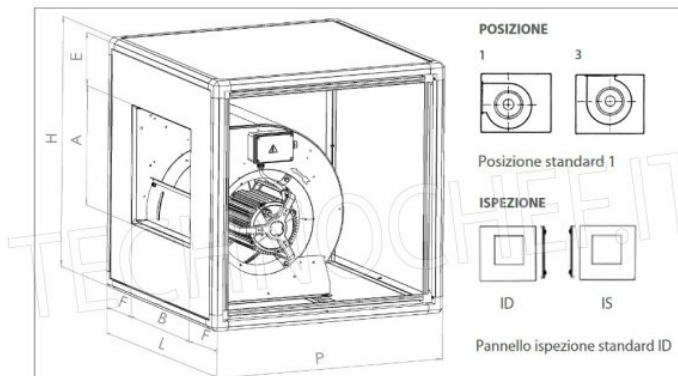


Boxed centrifugal aspirator, stainless steel panels, max flow rate 10,000 m³/h, V.400/3
BOXED FAN WITH CENTRIFUGAL FAN with MOTOR DIRECTLY COUPLED to the IMPELLER, STAINLESS STEEL panels, max flow rate 10,000 m³/cubic/hour, 920 rpm, 1 speed, db 55, V.400/3, Kw.2,2, Weight 102 Kg, dim .mm.900x900x900h

€ 1.225,53

VAT excluded
Shipping to be calculated

Delivery from 8 to 15 days



N.B. Se installati a bocca libera controllare l'assorbimento del motore e se non rispondente ai dati di targa, inserire valvola di portata per evitare l'intervento della protezione termica.