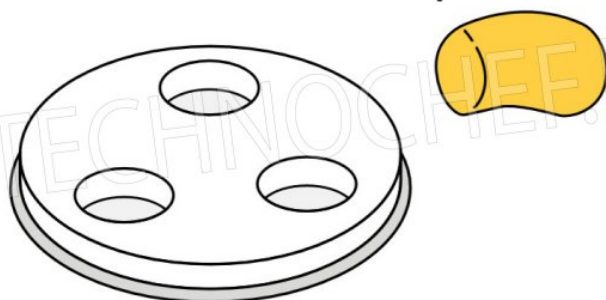




GNOCCHI

non di patate

not suitable for potatoes



I disegni delle trafale sono indicativi. Il numero dei fori cambia in base al modello della macchina.

CODE	DESCRIPTION	PRICE/DELIVERY
FM-ACRMPF4	Gnocchi die in brass-bronze alloy Ø 12 mm, for mod.MPF2.5N/MPF4N and mod.PF25E/PF40E.	€ 39,86 <i>VAT excluded</i> Shipping to be calculated Delivery from 4 to 9 days

PROFESSIONAL DESCRIPTION

TECHNICAL CARD

CODE/PICTURES	DESCRIPTION	PRICE/DELIVERY
---------------	-------------	----------------

FM-PF25EN



€ 1.001,35

VAT excluded
Shipping to be calculated

Delivery from 8 to 15 days

FIMAR - Professional EXTRUDED FRESH PASTA MACHINE, 2 Kg bowl - mod.PF25EN

Extruded fresh pasta machine, with 2 Kg stainless steel tank, hourly output 8 Kg/h, V.400/3+N, Kw.0.37, Weight 26.5 Kg, dim.mm.310x550x420h

FM-MPF2.5N



€ 1.040,05

VAT excluded
Shipping to be calculated

Delivery from 8 to 15 days

FIMAR - Professional EXTRUDED FRESH PASTA MACHINE, with 2.5 Kg tank, mod.MPF2.5N

Tabletop EXTRUDED FRESH PASTA machine - with tank for 2.5 kg of dough, - Hourly yield 8 Kg, V. 230/1, Kw 0.37, Weight 30 Kg, Dimensions, mm 260x600x380h

TCF53-VIP2**Techochef - EXTRUDED FRESH PASTA MACHINE, with 2.5 Kg tank, - 4 dies of your choice**

Tabletop EXTRUDED FRESH PASTA machine - with tank for 2.5 kg of dough, 4 dies of your choice - Hourly yield 8 kg, V. 230/1, Kw 0.37, Weight 29 kg, Dimensions, mm 260x600x380h

€ 1.075,75

VAT excluded
Shipping to be calculated

Delivery from 8 to 15 days**FM-PF40EN****FIMAR - Professional EXTRUDED FRESH PASTA MACHINE, 3.5 Kg bowl - mod. PF40EN**

Fresh pasta machine with water-cooled extrusion mouth, bowl capacity 3.5 Kg, hourly output 13 Kg/h, complete with PASTA CUTTER, V.400/3+N, Kw.0.75, Weight 35 Kg, dim. mm.320x595x525h

€ 1.413,38

VAT excluded
Shipping to be calculated

Delivery from 4 to 9 days**FM-MPF4N****FIMAR - Professional EXTRUDED FRESH PASTA MACHINE, with 4 Kg bowl, and standard pasta cutter - mod. MPF4N**

Tabletop EXTRUDED FRESH PASTA machine - with tank for 4 kg of dough, hourly yield 13 kg, complete with: ELECTRONIC PASTA CUTTER, V.400/3, Kw 0.75, weight 42 kg, dimensions 350x760x450h mm

€ 1.939,81

VAT excluded
Shipping to be calculated

Delivery from 8 to 15 days